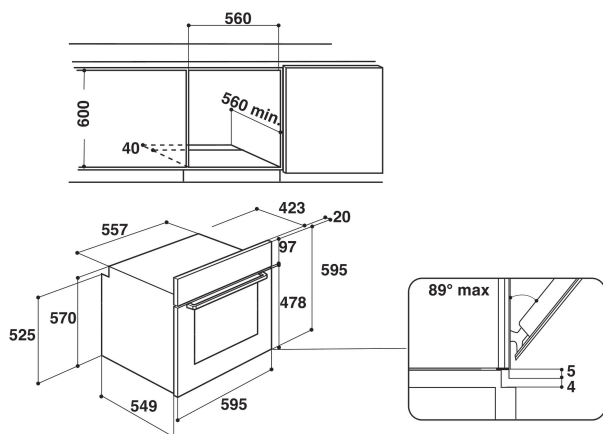


# IFW 5841 JP IX

12NC: F102784

GTIN (EAN) code: 8050147027844



## MAIN FEATURES

| Product group                         | Oven           |
|---------------------------------------|----------------|
| Commercial code                       | IFW 5841 JP IX |
| Main colour of product                | Inox           |
| Construction type                     | Built-in       |
| Type of control                       | Electronic     |
| Type of control settings              | -              |
| Are any hobs controls integrated?     | No             |
| Which kind of hobs can be controlled? | -              |
| Automatic programmes                  | Yes            |
| Current (A)                           | 16             |
| Voltage (V)                           | 220-240        |
| Frequency (Hz)                        | 50/60          |
| Length of Electrical Supply Cord (cm) | 100            |
| Plug type                             | No             |
| Depth with open door 90 degree (mm)   | -              |
| Height of the product                 | 595            |
| Width of the product                  | 595            |
| Depth of the product                  | 551            |
| Minimum niche height                  | 0              |
| Minimum niche width                   | 0              |
| Niche depth                           | 0              |
| Net weight (kg)                       | 27.1           |
| Usable volume (of cavity)             | 71             |
| Integrated Cleaning system            | Pyrolytic      |
| Grids of the cavity                   | 2              |
| Trays                                 | 1              |

## TECHNICAL FEATURES

|   |            |
|---|------------|
| Timer                                     | -          |
| Time control                              | Electronic |
| Time-setting options                      | Stop       |
| Safety device                             | -          |
| Interior light                            | Yes        |
| Number of interior lights of the cavity   | 1          |
| Position of interior lights of the cavity | Front left |
| Oven guides of the cavity                 | Grids      |
| Probe of the cavity                       | No         |

## PERFORMANCES

|  |             |
|--|-------------|
| Energy input                                   | Electric    |
| Type of energy of the cavity                   | Electricity |
| Energy efficiency class                        | A+          |
| Energy consumption conventional (kWh)          | 0           |
| Energy consumption forced air convection (kWh) | 0           |