

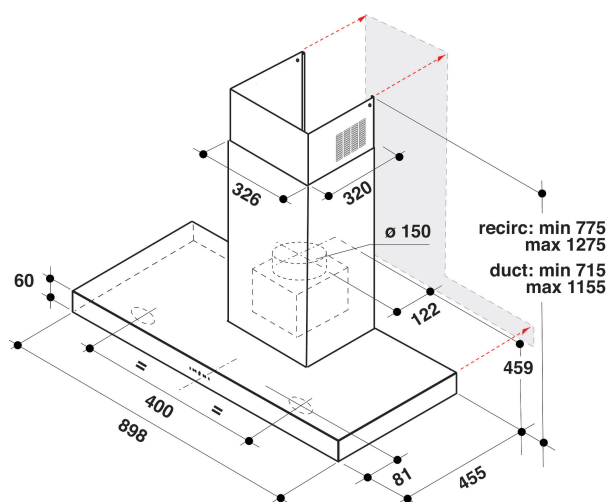
# AKR 758 UK IXL

12NC: 857875815000

GTIN (EAN) code: 8003437205866

**Whirlpool**

SENSING THE DIFFERENCE



## MAIN FEATURES

Product group	Hood
Colour body	Inox
Material body	iXelium
Colour chimney	Inox
Material chimney	Stainless steel
Typology	Manual
Installation type	Free-standing
Type of control	Electronic
Type of control settings	-
Decor panel options	N/A
Motor location	Integrated motor in hood chimney
Operating Mode	Convertible
Electrical connection rating (W)	315
Current (A)	1,4
Voltage (V)	220-240
Frequency (Hz)	50/60
Length of Electrical Supply Cord (cm)	150
Plug type	No
Chimney height (mm)	615-810
Height of product, without chimney (mm)	600
Height of the product	650
Width of the product	900
Depth of the product	455
Minimum niche height	0
Minimum niche width	0
Niche depth	0
Net weight (kg)	19.3

## TECHNICAL FEATURES

Type of manual control devices	Touch control
Type of automatic control devices	-
Number of motors	1
Total power of the motors (W)	300
Number of speed settings: boost option availability	5
Boost presence	Yes
Maximum output air extraction (m <sup>3</sup> /h)	779
Boost position air extraction (m <sup>3</sup> /h)	779
Maximum output recirculating air (m <sup>3</sup> /h)	427
Boost position output recirculating (m <sup>3</sup> /h)	441
Light Control Type	Continuous
Number of lights	2
Type of lamps used	LED
Total power of the lamps (W)	5
Diameter of air outlet (mm)	150
No-return airflow flap	No
Grease filter material	Washable aluminium
Odour filter	No

## PERFORMANCES

Sound power at min. speed (2010/30/EU)	37
Sound power at max. speed (2010/30/EU)	66
Noise level with boost position (dB(A) re 1 pW)	0