

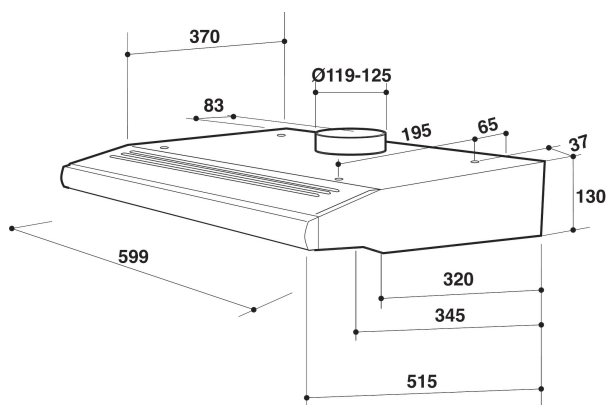
AKR 420 IX -1

12NC: 857842015070

GTIN (EAN) code: 8003437741562

Whirlpool

SENSING THE DIFFERENCE



MAIN FEATURES

Product group	Hood
Colour body	Grey
Material body	Metal
Colour chimney	-
Material chimney	-
Typology	Wall-mounted
Installation type	Wall-mounted
Type of control	Mechanical
Type of control settings	-
Decor panel options	Possible and included
Motor location	Integrated motor in hood body
Operating Mode	Convertible
Electrical connection rating (W)	128
Current (A)	0,6
Voltage (V)	220-240
Frequency (Hz)	50/60
Length of Electrical Supply Cord (cm)	150
Plug type	No
Chimney height (mm)	0-0
Height of product, without chimney (mm)	130
Height of the product	130
Width of the product	599
Depth of the product	515
Minimum niche height	0
Minimum niche width	0
Niche depth	0
Net weight (kg)	5.4

TECHNICAL FEATURES

Type of manual control devices	Slider
Type of automatic control devices	-
Number of motors	1
Total power of the motors (W)	100
Number of speed settings: boost option availability	3
Boost presence	No
Maximum output air extraction (m ³ /h)	180
Boost position air extraction (m ³ /h)	0
Maximum output recirculating air (m ³ /h)	130
Boost position output recirculating (m ³ /h)	0
Light Control Type	Steps
Number of lights	1
Type of lamps used	Halogen
Total power of the lamps (W)	28
Diameter of air outlet (mm)	120
No-return airflow flap	No
Grease filter material	Not washable synthetic
Odour filter	Yes

PERFORMANCES

Sound power at min. speed (2010/30/EU)	52
Sound power at max. speed (2010/30/EU)	64
Noise level with boost position (dB(A) re 1 pW)	0