

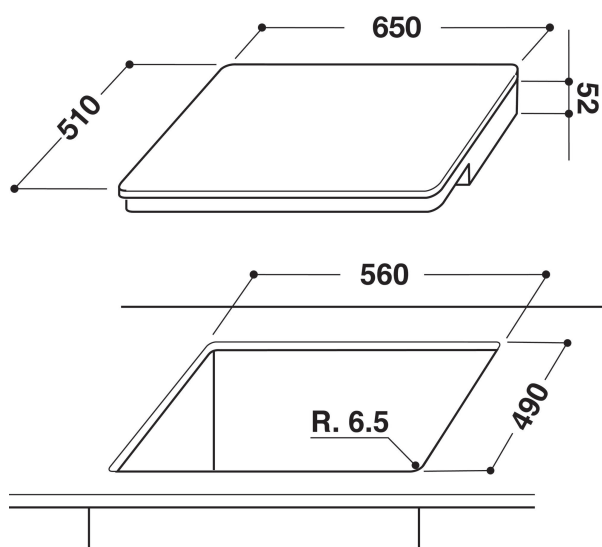
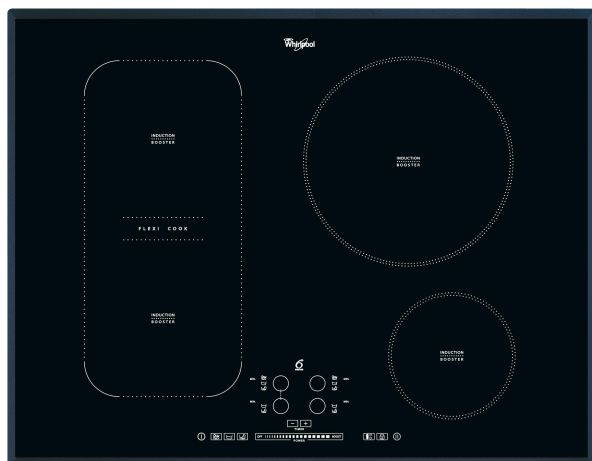
ACM 848/BA

12NC: 855784801000

EAN code: 8003437825873



SENSING THE DIFFERENCE



MAIN FEATURES

| | |
|--|------------|
| Product group | Hob |
| Construction type | Built-in |
| Type of control | Electronic |
| Type of control setting and signalling devices | - |
| Number of gas burners | 0 |
| Number of electric cooking zones | 4 |
| Number of electric plates | 0 |
| Number of radiant plates | 0 |
| Number of halogen plates | 0 |
| Number of induction plates | 4 |
| Number of electric warming zones | 0 |
| Location of control panel | Hob Front |
| Basic surface material | Glass |
| Main colour of product | Black |
| Electrical connection rating (W) | 8000 |
| Gas connection rating (W) | 0 |
| Current (A) | 26 |
| Voltage (V) | 230 |
| Frequency (Hz) | 50-60 |
| Length of Electrical Supply Cord (cm) | 150 |
| Plug type | No |
| Gas connection | N/A |
| Width of the product | 650 |
| Height of the product | 56 |
| Depth of the product | 510 |
| Minimum niche height | 49 |
| Minimum niche width | 560 |
| Niche depth | 490 |
| Net weight (kg) | 11.50 |
| Automatic programmes | Yes |

TECHNICAL FEATURES

| | |
|-------------------------|--------------|
| Power on indicator | Yes |
| Plate on indicator | 1 |
| Type of regulation | Inductor |
| Type of lid | Without |
| Residual heat indicator | separate |
| Main on/off switch | Yes |
| Safety device | - |
| Timer | Programmable |

ENERGY LABEL

| | |
|--------------|----------|
| Energy input | Electric |
|--------------|----------|