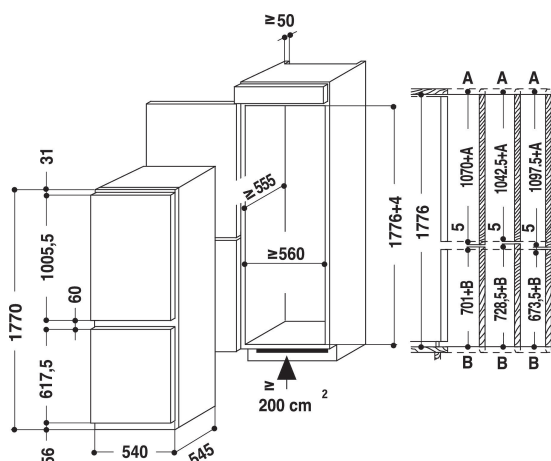


KRCB 6064

12NC: 851301496000

GTIN (EAN) code: 8003437038273

KitchenAid



MAIN FEATURES

Product group	Refrigerator
Commercial code	KRCB 6064
GTIN (EAN) code	8003437038273
Construction type	Built-in
Installation type	Built-in
Type of control	Electronic
Type of control settings	7 segments
Main colour of product	White
Electrical connection rating (W)	160
Current (A)	16
Voltage (V)	220-240
Frequency (Hz)	50
Length of Electrical Supply Cord (cm)	245
Plug type	Schuko
Total unit net capacity (l)	265
Star Rating	4
Number of independent cooling systems	2
Height of the product	1770
Width of the product	540
Depth of the product	545
Depth with open door 90 degree (mm)	-
Maximum adjustability feet	0
Net weight (kg)	58
Door hinge	Right

TECHNICAL FEATURES

Temperature adjustable	-
Warning signal / Malfunction	Audible
Defrost process fridge section	Automatic
Fast cooling possibility	Yes
Interior ventilator fridge section	Yes
Shelves for Bottles	Yes
Lockable door	-
Number of shelves in fridge compartment	3
Number of Adjustable Shelves in fridge compartment	3
Material of the shelves	Glass With Profile
Thermometer fridge section	Digital

PERFORMANCES

Energy efficiency class - NEW (2010/30/EU)	A+
Energy consumption annual (kWh/annum) - NEW (2010/30/EU)	290
Refrigerator Net capacity (l) - NEW (2010/30/EU)	193
Freezer Net capacity (l) - NEW (2010/30/EU)	72
Freezing capacity (kg/24h) - NEW (2010/30/EU)	0
Temperature rise time (h)	15
Climate class	SN-T
Noise level (dB(A) re 1 pW)	37
Frost free system	No
Maximum ambient temperature	0
Minimum ambient temperature	0