

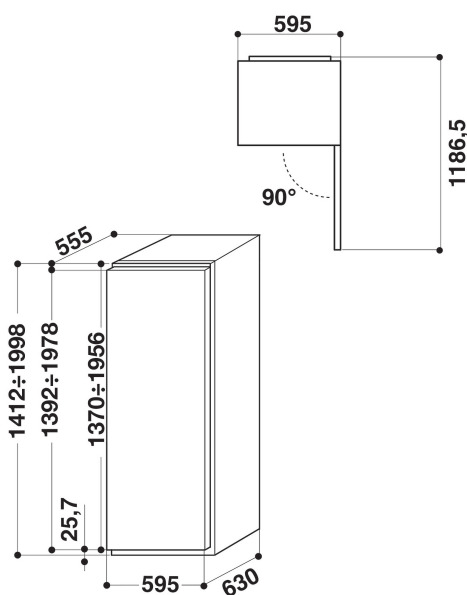
WME36962 X

12NC: 850531611130

GTIN (EAN) code: 8003437898686

Whirlpool

SENSING THE DIFFERENCE



MAIN FEATURES

Product group	Refrigerator
Commercial code	WME36962 X
GTIN (EAN) code	8003437898686
Construction type	Free-standing
Installation type	Free-standing
Type of control	Electronic
Type of control settings	7 segments
Main colour of product	Modern Steel
Electrical connection rating (W)	100
Current (A)	10
Voltage (V)	220-240
Frequency (Hz)	50
Length of Electrical Supply Cord (cm)	200
Plug type	Schuko
Total unit net capacity (l)	363
Star Rating	Automatic
Number of independent cooling systems	1
Height of the product	1875
Width of the product	595
Depth of the product	630
Depth with open door 90 degree (mm)	-
Maximum adjustability feet	0
Net weight (kg)	62
Door hinge	Right reversible

TECHNICAL FEATURES

Temperature adjustable	Yes
Warning signal / Malfunction	Both visual and audible
Defrost process fridge section	Semi-automatic
Fast cooling possibility	Yes
Interior ventilator fridge section	Yes
Shelves for Bottles	No
Lockable door	-
Number of shelves in fridge compartment	6
Number of Adjustable Shelves in fridge compartment	4
Material of the shelves	Glass
Thermometer fridge section	Analog

PERFORMANCES

Energy efficiency class - NEW (2010/30/EU)	A++
Energy consumption annual (kWh/annum) - NEW (2010/30/EU)	114
Refrigerator Net capacity (l) - NEW (2010/30/EU)	363
Freezer Net capacity (l) - NEW (2010/30/EU)	0
Freezing capacity (kg/24h) - NEW (2010/30/EU)	0
Temperature rise time (h)	0
Climate class	SN-T (EN153)
Noise level (dB(A) re 1 pW)	38
Frost free system	No
Maximum ambient temperature	0
Minimum ambient temperature	0