

# **INSTRUCTIONS FOR USE**

**BEFORE USING THE APPLIANCE**

**SAFEGUARDING THE ENVIRONMENT**

**PRECAUTIONS AND GENERAL  
RECOMMENDATIONS**

**HOW TO OPERATE THE REFRIGERATOR  
COMPARTMENT**

**HOW TO OPERATE THE LOW TEMPERATURE  
COMPARTMENT**

**HOW TO DEFROST AND CLEAN THE  
REFRIGERATOR**

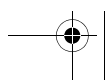
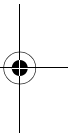
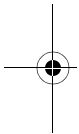
**CARE AND MAINTENANCE**

**TROUBLESHOOTING GUIDE**

**AFTER-SALES SERVICE**

**INSTALLATION**

**ELECTRICAL CONNECTION**



## BEFORE USING THE APPLIANCE

- Your new appliance is designed exclusively for domestic use

**To get the most out of your new appliance, read the user handbook thoroughly. The handbook contains a description of the appliance and useful tips for storing food. Keep this handbook for future consultation.**

- After unpacking, make sure that the appliance is undamaged and that the door closes properly. Any damage must be reported to your dealer within 24 hours after delivery of the appliance.
- Wait at least two hours before switching the appliance on in order to ensure the refrigerant circuit is fully efficient.
- Installation of the appliance and electrical connections must be carried out by a qualified electrician, in accordance with the manufacturer's instructions and local safety regulations
- Clean the inside of the appliance before using it.

## SAFEGUARDING THE ENVIRONMENT


### 1. Packing

The packaging material is entirely recyclable, and marked with the recycling symbol. Follow local regulations for scrapping. Keep the packaging materials (plastic bags, polystyrene parts, etc.) out of reach of children, as they are potentially dangerous.

### 2. Scrapping

The appliance is manufactured using recyclable material.

This appliance is marked according to the European directive 2002/96/EC on Waste Electrical and Electronic Equipment (WEEE). By ensuring this product is disposed of correctly, you will help prevent potential negative consequences for the environment and human health, which could otherwise be caused by inappropriate waste handling of this product.

The symbol  on the product, or on the documents accompanying the product, indicates that this appliance may not be treated as household waste. Instead it shall be handed over to the applicable collection point for the recycling of electrical and electronic equipment. Before scrapping, make the appliance unusable by cutting off the power cable and removing the doors and shelves so that children cannot easily climb inside the appliance.

Disposal must be carried out in accordance with local environmental regulations for waste disposal. Deliver the appliance immediately to an authorized dump; do not leave it unattended even for a few days, since it is potentially dangerous for children. For more detailed information about treatment, recovery and recycling of this product, please contact your local city office, your household waste disposal service or the shop where you purchased the product.

### Information:

This appliance does not contain CFCs (replaced with R134a) or HFCs (replaced with R600a).

Appliances with Isobutane (R600a): isobutane is a naturally occurring, low environmental impact gas. Caution is required, however, because isobutane is flammable. Therefore, it is essential to ensure that refrigerant pipelines are not damaged.

### Declaration of conformity

- This appliance is designed to store food and is manufactured in conformity with EEC directive No. 89/109/CEE, 90/128/CEE, 02/72/CEE.



- This appliance is designed, manufactured, and retailed in compliance with:
  - the safety objectives of the Low Voltage Directive 73/23/EEC;
  - the protection requirements of the "EMC" Directive 89/336/EEC, amended by Directive 93/68/EEC;
- The electrical safety of the appliance can only be guaranteed if the product is connected to an approved earth connection.



## PRECAUTIONS AND GENERAL RECOMMENDATIONS

- Use the refrigerator compartment only for storing fresh food and beverages and use the freezer compartment only for storing frozen food, freezing fresh food and making ice cubes.
- After installation, make sure that the appliance is not standing on the power supply cable.
- Do not store glass containers with liquids in the freezer since they may burst.
- Do not eat ice cubes or ice lollies immediately after taking them out of the freezer since they may cause cold burns.
- Before carrying out any maintenance or cleaning, always unplug the appliance or disconnect the power supply.
- Make sure that your appliance is not near a heat source.
- Do not store or use gasoline or other flammable vapours and liquids in the vicinity of this or any other appliance. The fumes can create a fire hazard or explosion.
- To ensure proper ventilation leave a 1 cm space on both sides and above the appliance.
- Ensure that the vent outlets on the appliance casing or housing unit are unobstructed in order to allow correct air circulation.
- All appliances equipped with an ice maker or water dispenser must be connected to a mains water supply that delivers potable water only (with water pressure between 1.7 and 8.1 bar (25 and 117 PSI)). Ice makers and/or water dispensers not directly connected to a mains water supply must be filled with potable water only.
- Install and level the appliance on a floor strong enough to take its weight and in an area suitable for its size and use.

- Install the appliance in a dry and well-ventilated place. The appliance is set for operation at specific ambient temperature ranges, according to the climatic class indicated on the data plate: The appliance may not work properly if it is left for a long period at a temperature above or below the indicated range.

Climatic class	Amb. T. (°C)	Amb. T. (°F)
SN	From 10 to 32	From 50 to 90
N	From 16 to 32	From 61 to 90
ST	From 18 to 38	From 64 to 100
T	From 18 to 43	From 64 to 110

- Be careful not to damage the floors when you move the appliance (e.g. parquet flooring).
- Do not use mechanical devices or any means other than those recommended by the manufacturer to speed up the defrosting process.
- Do not damage the refrigerant circuit.
- Do not use electrical appliances inside the freezer compartments, unless such appliances are specifically recommended by the manufacturer.
- This appliance is not designed for use by young children or the infirm.
- To avoid the risk of children being trapped and therefore suffocating, do not allow them to play or hide inside the appliance.
- The power cable may only be replaced by an authorized person.
- Do not use extension leads or adapters.
- It must be possible to disconnect the appliance from the mains by unplugging it or by means of a two-pole switch fitted upline of the socket.
- Ensure that the voltage indicated on the appliance data plate corresponds to the domestic supply voltage
- Do not ingest the contents (non-toxic) of the ice packs (if provided).

# HOW TO OPERATE THE REFRIGERATOR COMPARTMENT

## Switching on the appliance

### Starting up the appliance

Depending on the model, the appliance is equipped with **external controls** or **internal controls**.

Plug in the appliance.

For appliances featuring **external controls**:

- The light, positioned either below the control panel or inside the appliance (depending on model) switches on each time the door is opened.
- The green LED lights up, indicating the appliance is operating.

For appliances featuring **internal controls**, when the appliance is connected to the mains the inside light switches on each time the door is opened (provided the thermostat is not turned to ●).

The thermostat, located inside the refrigerator compartment or on the front panel, is used to adjust the temperature of both the refrigerator compartment and low temperature compartment (if fitted).

### Adjusting the temperature

1. For correct operation and optimum storage of food, **follow instructions given in the enclosed product sheet for thermostat adjustment.**
2. To adjust the temperature in the compartment, turn the thermostat control knob:
  - lowest numbers **1-2/MIN** for the **LEAST COLD** internal temperatures;
  - numbers **3-4/MED** for a **MEDIUM** internal temperature;
  - highest numbers **5-7/MAX** for the **COLDEST** internal temperatures.

Thermostat set to ●: all functions, including the inside light, are switched off.

### Note:

The ambient air temperature, frequency of door opening and the position of the appliance can affect internal temperatures. These factors must be taken into account when setting the thermostat.

### How to use the refrigerator compartment

Position the food as shown in the figure.

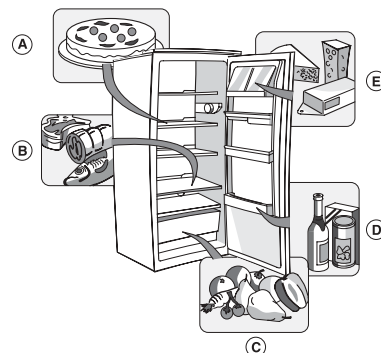
- A Cooked food
- B Fish, meat
- C Fruit and vegetables
- D Bottles
- E Cheese

### Notes:



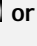
- The space between the shelves and the rear wall of the refrigerator compartment must be unobstructed to allow circulation of air.
- Do not place food in direct contact with the rear wall of the refrigerator compartment.
- Do not place hot food in the refrigerator.
- Store liquids in closed containers.


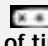
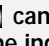
### Important

**Storing vegetables with high water content can cause condensation to form on the glass shelf of the crisper drawer: this will not affect the correct operation of the appliance.**



## HOW TO OPERATE THE LOW TEMPERATURE COMPARTMENT

The low temperature compartment is ,  or .

Compartments marked  or  can be used to store frozen foods for the period of time indicated on packaging. If the low temperature compartment is marked , it can also be used to freeze fresh food. The quantity of fresh food that can be frozen in 24 hours is shown on the rating plate.

### Note:

In the event of a power cut, the low temperature compartment will maintain a sufficiently low temperature for food storage. However, it is advisable to avoid opening the compartment door during such periods.

### Freezing fresh food (only in compartments marked )

#### Important

- Before freezing, wrap and seal fresh food in: aluminium foil, cling film, air and water-tight plastic bags, polythene containers with lids or freezer containers suitable for freezing fresh food.
- Arrange the fresh food in the top compartment, leaving sufficient space around each pack for the air to circulate.
- For optimum freezing, turn the thermostat down by half a point when placing fresh foods in the freezer compartment.
- The food will be completely frozen in 24 hours.

#### For appliances with compartments marked

The table alongside shows the recommended maximum storage time for frozen fresh foods.

#### When purchasing frozen food products:

- Ensure that the packaging is not damaged (frozen food in damaged packaging may have deteriorated). If the package is swollen or has damp patches, it may not have been stored under optimal conditions and defrosting may have already begun.
- When shopping, leave frozen food purchases until last and transport the products in a thermally insulated cool bag.
- Place the items in the low temperature compartment as soon as you get home.
- If food has defrosted even partially, do not re-freeze it. Consume within 24 hours.
- Avoid, or reduce temperature variations to the minimum. Respect the best-before date on the package.
- Always observe the storage information on the package.



MONTHS	FOOD
1-3	  
4-7	  
8-12	  

**Making ice cubes**

- Fill the ice cube tray 2/3 full and place it in the low temperature compartment.
- Do not use sharp or pointed instruments to detach the tray if it is stuck to the low temperature compartment bottom.
- Bend the ice tray slightly to remove the cubes.

## HOW TO DEFROST AND CLEAN THE REFRIGERATOR

**Before any cleaning or maintenance operation, unplug the appliance from the mains or disconnect the electrical power supply.**

**Defrosting of the refrigerator compartment is completely automatic.**

Droplets of water on the rear wall of the refrigerator compartment indicate that the periodic automatic defrost cycle is in progress.

The defrost water is automatically routed to a drain outlet and into a container from which it evaporates.

Clean the defrost water drain outlet regularly using the tool supplied with the appliance in order to ensure defrost water is removed correctly.

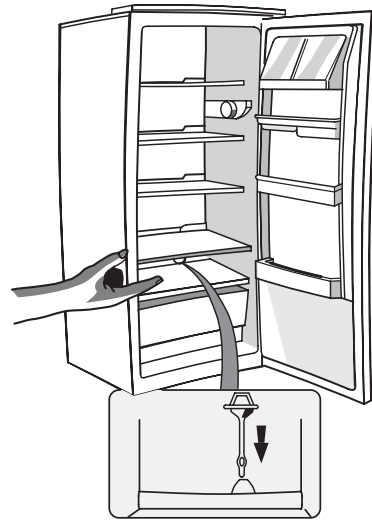
**Defrosting the low temperature compartment**

**Defrost the low temperature compartment once or twice a year or when the ice formation is excessive.**

**It is perfectly normal for ice to form. The amount of ice which forms and the rate at which it accumulates will depend on room temperature and humidity, and on the frequency with which the door is opened. Ice formation is concentrated at the top of the compartment and does not affect the efficiency of the appliance.**

**If possible, carry out defrosting when the compartment is nearly empty.**

- Remove the food from the low temperature compartment, wrap in a newspaper and group together in a cool place or in a portable cooler.
- Leave the door open to allow the frost to melt.
- Clean the interior with a sponge soaked in warm water and/or neutral detergent. Do not use abrasive substances.
- Rinse the interior and dry thoroughly.
- Put the food back into the compartment.
- Close the door.
- Plug in the appliance once again.
- Switch the appliance on.

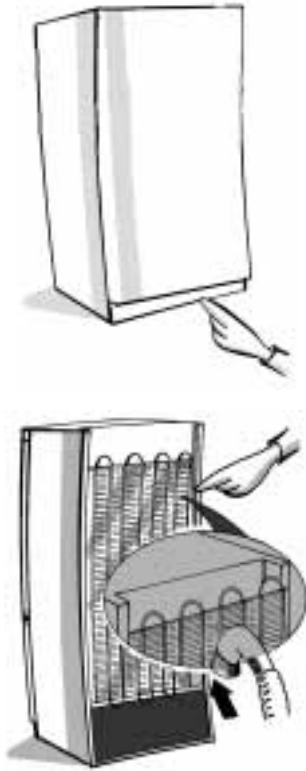


## CARE AND MAINTENANCE

- Periodically clean air vents and the condenser at the rear of the appliance with a vacuum cleaner or a brush.
- Clean the outside using a soft cloth.

### Prolonged disuse

1. Empty the refrigerator.
2. Disconnect the appliance from the power supply.
3. Defrost and clean the interior.
4. In the event of prolonged disuse, leave the door open to prevent the formation of mould, odours and oxidation.
5. Clean the appliance.
  - Clean the inside of the low temperature compartment (where fitted) when defrosting.
  - Periodically clean the inside of the refrigerator compartment with a sponge dampened in warm water and/or neutral detergent. Rinse the interior and dry with a soft cloth. Do not use abrasive products.
  - Clean the outside with a damp cloth. Do not use abrasive products, scourers, stain-removers (e.g. acetone, trichloroethylene) or vinegar.



## TROUBLESHOOTING GUIDE

1. **The appliance is not working.**
  - Is there a power failure?
  - Is the plug properly inserted in the socket?
  - Is the double-pole switch on?
  - Has the fuse blown?
  - Is the power cord in perfect condition?
  - Is the thermostat set to ● (Stop)?
2. **Temperature inside the compartments is not low enough.**
  - Is the door shut properly?
  - Is food obstructing proper door closure?
  - Is the appliance installed near a heat source?
  - Is the thermostat setting correct?
  - Are the air circulation vents blocked?
3. **Temperature inside the refrigerator compartment is too low.**
  - Is the thermostat setting correct?
4. **The appliance is excessively noisy.**
  - Has the appliance been installed correctly?
  - Are the pipes at the back touching or vibrating?
5. **Water collects at the bottom of the refrigerator compartment.**
  - Is the defrost water drain blocked?
6. **Excessive frost build-up in the low temperature compartment.**
  - Is the door shut properly?
  - Is food obstructing proper door closure?

### Notes:

**Gurgling and hissing noises due to expansion in the refrigerant circuit are normal.**

## AFTER-SALES SERVICE

### Before contacting After-Sales Service:

1. See if you can solve the problem yourself with the help of the "Troubleshooting guide".
2. Switch the appliance on again to see if the problem has been solved. If it has not, disconnect the appliance from the power supply and wait for about an hour before switching on again.
3. If the problem persists after this course of action, contact After-sales Service.

### Specify:

- the nature of the problem
- the model
- the Service number (the number after the word SERVICE on the data plate on the inside of the appliance)
- your full address
- your telephone number and area code.

**SERVICE** 0000 000 00000



### Note:

**The direction of door opening can be changed. If this operation is performed by After-sales Service it is not covered by the warranty.**



## INSTALLATION

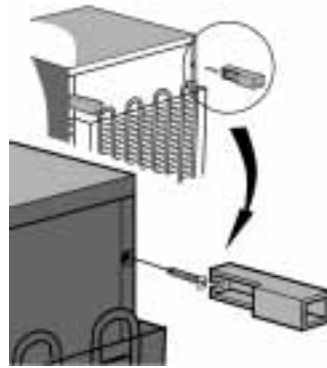
- Install the appliance away from heat sources. Installation in a hot environment, direct exposure to the sun or installation near heat sources (heaters, radiators, cookers) will increase power consumption and should therefore be avoided.
- If this is not possible, the following minimum distances must be respected:
  - 30 cm from coal or paraffin stoves;
  - 3 cm from electric and/or gas stoves.
- Fit the spacers on the rear of the condenser positioned at the back of the appliance (see figure).
- To optimize appliance efficiency, leave a 5 cm gap above the appliance and make sure that adjacent kitchen units are sufficiently distanced to allow air circulation.
- Install the appliance in a dry, well-ventilated place, and ensure it is level, using the front adjustment feet if necessary.
- Clean the interior.
- Fit the accessories.

### Electrical connection

- **Electrical connections must be made in accordance with local regulations.**
- Voltage and power consumption are indicated on the rating plate inside the appliance.
- **Regulations require that the appliance is earthed. The manufacturer declines all liability for injury to persons or animals and for damage to property resulting from failure to observe the above procedures and reminders.**
- If the plug and socket are not of the same type, have the socket replaced by a qualified electrician.
- Do not use extension leads or adaptors.

### Disconnecting the appliance

It must be possible to disconnect the appliance by unplugging it or by means of a two-pole switch fitted upline of the socket.



## ELECTRICAL CONNECTION

### For Great Britain only

#### Warning - this appliance must be earthed

#### Fuse replacement

If the mains lead of this appliance is fitted with a BS 1363A 13amp fused plug, to change a fuse in this type of plug use an A.S.T.A. approved fuse to BS 1362 type and proceed as follows:

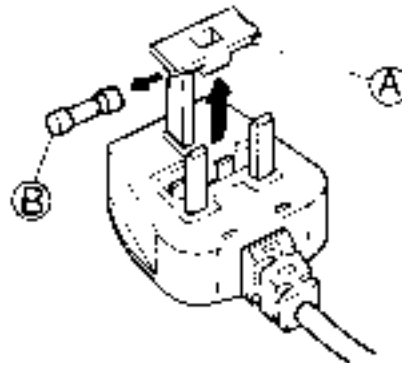
1. Remove the fuse cover (A) and fuse (B).
2. Fit replacement 13A fuse into fuse cover.
3. Refit both into plug.

#### Important:

The fuse cover must be refitted when changing a fuse and if the fuse cover is lost the plug must not be used until a correct replacement is fitted.

Correct replacement are identified by the colour insert or the colour embossed in words on the base of the plug.

Replacement fuse covers are available from your local electrical store.



### For the Republic of Ireland only

The information given in respect of Great Britain will frequently apply, but a third type of plug and socket is also used, the 2-pin, side earth type.

### Socket outlet / plug (valid for both countries)

If the fitted plug is not suitable for your socket outlet, Please contact Whirlpool Service for further instruction. Please do not attempt to change plug yourself. This procedure needs to be carried out by a qualified Whirlpool technician in compliance with the manufactures instructions and current standard safety regulations.