

1. Radiant cooking zone Ø 145
2. Radiant cooking zone Ø 210
3. Radiant cooking zone Ø 145
4. Radiant cooking zone Ø 180

Operation of cooking zones

The cooktop control knobs are on the control panel on the oven.

- Set the knob to one of position 1-6, which correspond to different temperatures.
- To switch off the cooking zones, set the knob to position "0".

Important:

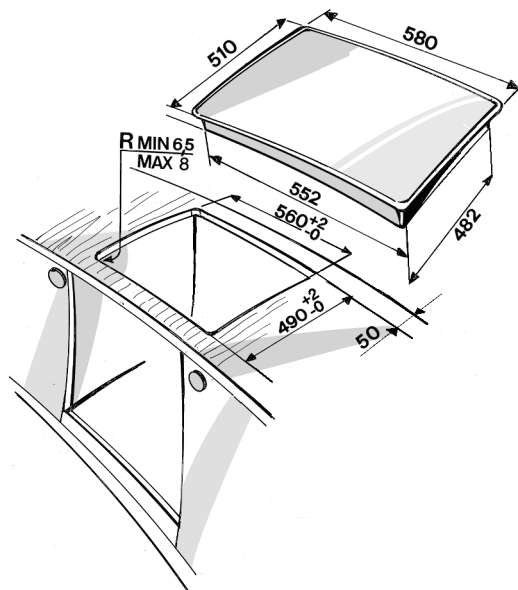
To avoid permanently damaging the glass-ceramic top, do not use:

- Pots with bottoms that are not perfectly flat
- Metal pots with enamelled bottom.

Any aesthetic defects (scratches, marks etc.) must be reported at the time of installation.

Clean the cooktop frame with warm water and neutral solution only.
Do not use corrosive and/or abrasive substances which could damage the enamelled surface.

DIMENSIONS OF COOKTOP AND WORKTOP (mm)



Make sure that the voltage indicated on the rating plate is the same as the mains voltage. Technical data is given on the rating plate on the edge of the hob and also below:

ELECTRICAL CONNECTION

Power supply voltage	Number of wires x dimensions
230 V ~	H05 RR-F 3 x 2.5 mm ²
230 V 3 ~ +	H05 RR-F 4 x 1.5 mm ²

Type PFEVS 230 V ~ 50 Hz 6,2 kW

5019 319 01780

To get full satisfaction from the hob, please read these instructions carefully and keep them for future consultation.

To get full satisfaction from the hob, please read these instructions carefully and keep them for future consultation.

PROTECTING THE ENVIRONMENT

Disposal of packaging materials

- The packing material can all be fully recycled, as confirmed by the recycling symbol
- The various parts of the packing must not be sent for waste, but recycled in conformity with the regulations imposed by local authorities.

Disposal of used household appliances

- This appliance is marked according to the European directive 2002/96/EC on Waste Electrical and Electronic Equipment (WEEE). By ensuring this product is disposed of correctly, you will help prevent potential negative consequences for the environment and human health.



The symbol on the product, or on the documents accompanying the product, indicates that this appliance may not be treated as household waste. Instead it shall be handed over to the applicable collection point for the recycling of electrical and electronic equipment. Dispose of in accordance with local standards governing waste disposal. For further information on the treatment, recovery and recycling of this product, contact the relevant local authority, household waste collection service, or the outlet at which the product was purchased.

Energy saving

- Use pots and pans whose bottom diameter is equal to that of the cooker plates, or slightly larger.
- Only use flat-bottomed pots and pans.
- If possible, keep the pot covered when cooking.
- Cook vegetables, potatoes, etc. with little water in order to cut down cooking time.
- A pressure cooker allows you to save even more energy and time.

CAUTION

- This appliance is not intended for use by persons (including children) with reduced physical, sensory or mental capabilities or lack of experience and knowledge unless they have been given initial supervision or instruction concerning use of the appliance by a person responsible for their safety.
- The appliance is not intended to be operated by means of an external timer or separate remote-control system.
- Should the hob become cracked or broken, do not use it and call the After Sales Service immediately.
- If the hob incorporates halogen cooking elements, do not stare at them.
- The hob is designed for use as a domestic food cooker only. No other type of use is allowed. The Manufacturer declines all responsibility for inappropriate use or incorrect setting of the controls.
- Do not expose the hob to atmospheric agents.
- Any repairs or adjustments must be carried out exclusively by an authorised technician.
- Avoid touching the hob with wet hands or using it when barefoot.
- Do not allow children to touch:
 - the hob in general, to avoid burns.
 - the hob immediately after use the hob reaches extremely high temperatures;
 - packing materials (bags, polystyrene, metal parts, etc.);
 - the hob to be scrapped.
- Make sure that the electrical wires of other electrical appliances near the hob do not come into contact with hot parts of the hob itself.
- Always keep a watch on pans when cooking with oil and grease. The oil and grease might overheat and catch fire!
- Do not use the hob as a support or worktop.

- Do not leave the hot plates/cookers turned on when they are empty.
- Do not rest plastic, aluminium foil, cloths, paper etc. on the hot plates/cookers.
- The hob is fitted with hot plates/cookers of different sizes. Use pans whose bottom diameter is equal to that of the hot plates/cookers, or slightly larger.

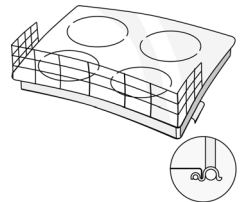
BEFORE USING THE COOKING HOB

Before use, remove:

- adhesives stuck on the hob;
- cardboard guards and protective plastic film;
- check whether the hob has been damaged during transport. If in doubt, contact the After Sales Service.

ACCESSORY

Child guard AMH 122
This accessory can be obtained from the After Sales Service under code number 4819 310 18436 or from your dealer under reference number 017124.



Care and maintenance

- Important:** never clean the appliance with high pressure water or steam cleaning equipment.
- Clean the hob, when it is cool, after each use. This will prevent the build-up of dirt and make cleaning easier.
 - Use a clean cloth, absorbent kitchen wipes and washing up liquid or a specific glass ceramic cleaner.
 - Remove baked-on dirt with the special scraper tool (if provided) and specific cleaning products.
 - Any food spills should be cleaned off before they dry.
 - Do not use abrasive products, chlorine-based cleaners, oven-cleaner spray or pan scourers.
 - The hob should be treated periodically with specific products available from the shops, following the manufacturer's instructions.

TROUBLESHOOTING GUIDE

The hob does not work:

- Make sure that the power supply is on.
- Turn the hob off and on again, to make sure that the problem has been solved.
- Make sure that the knob is not turned to "0". Turn the multi-pole switch to "Off" for a few minutes and then turn it back to "On".

AFTER SALES SERVICE

Before you call the After Sales Service

- Make sure that you cannot solve the problem yourself following the points described in chapter "Troubleshooting Guide".

If after the above checks the fault still occurs, get in touch with the nearest After Sales Service.

Please give:

- a short description of the fault;
- the exact type and model of hob;
- service number (i.e., the number that follows the word SERVICE on the rating plate under the hob itself). The service number is also indicated on the guarantee booklet;
- your full address;
- your telephone number.

If any repairs are required, please contact an authorised After Sales Service (to guarantee that original spare parts will be used and repairs carried out correctly).

Failure to comply with these instructions may compromise the safety and quality of the product.

INSTALLATION

Recommendations

Important: Disconnect the hob from the mains before carrying out any installation work or servicing.

- All electrical connections must be made before connecting the appliance to the power supply.
- Installation must be carried out by a qualified technician in accordance with the manufacturer's instructions and in compliance with local regulations.
- Unpack the hob and make sure that the appliance has not been damaged during transport. **If you are not sure contact the dealer or the nearest service centre.**

Preparing the housing unit

- Cut the worktop to fit before installing the appliance. Carefully remove any shavings or sawdust that could prevent the appliance from running properly.

Attention: to install the cooktop on other surfaces than wood (marble, plastic, ceramic, marble, stone, etc.) remember to ask After Sales Service for the fixing plates (fig. 6).

- The hob must be fitted in a worktop with a minimum thickness of 20 mm and a maximum of 50 mm.
- There must be nothing between the hob and the oven (e.g. cables, insulating material, etc.).
- An adjacent column unit must be installed at least 100 mm from the edge of the hob.
- Cut an opening in the worktop of the given dimensions.
- We recommend you seal the internal edges of the worktop with wood glue or silicone.
- If not already in place, apply the supplied seal to the hob, after cleaning the adhesive surface thoroughly.

Glass-ceramic hob

Important: remove any protective film before installing the hob.

Make sure that the opening in the worktop for the hob is cut according to the dimensions given in the drawing, paying attention to the tolerance range.

The hob should not be forced into the worktop. Forcing the glass-ceramic top may cause it to crack (even at a later date)!

- **If the worktop is made of wood**, use the appropriate brackets, spring clips and screws provided.
- Position the 4 clips (A), if not already fitted, around the cooktop frame, in the slots provided, see Fig. 1.
- Measure the centre of the vertical sides of the cut out as shown in Fig. 2.
- Position the centre of the brackets (C) on the centre of the side previously identified.
- The upper edge of the brackets must be flush with the worktop surface.
- Secure using the 4 screws (B) provided that should be screwed into the pre-prepared holes.
- Insert the cook hob into the pre-prepared hole ensuring that the clips (A) lodge into the bracket slots provided (C Fig. 4 e 5).

Electrical connection

- Regulations require that the appliance be earthed.
- Connection to the mains must be carried out by a qualified technician in accordance with the manufacturer's instructions and in compliance with local regulations.
- The installer is responsible for connecting appliances correctly to the mains and for observing the safety regulations.
- After the oven has been installed, the electrical components must be inaccessible.
- Important: do not connect the oven to the power supply before you have finished connecting the oven and cooktop.
- Before connecting the oven (or box) to the power supply, make sure that the hob is among the ones listed in the hob/oven pairing product sheet provided.
- Connect the connectors of the hob (G) to the connectors of the oven (F) matching the colours and alignment of the housing guides visible on the top of the connectors.
- Then make the connection by pushing the connectors all the way in, making sure that the tongue clicks into place.
- Unscrew the nut of the ground screw (H) (fig. 8) on the top covering of the oven and insert the yellow/green ground cable, leaving the washer in place. Screw the nut back onto the screw and tighten it as far as it will go.

Important: if the connection and colour coding of the hob terminals do not comply with the data given on the hob/oven pairing product sheet located on the top of the oven, please request the adapter kit code **AMC 873**, available from After Sales Service.

Declaration of conformity CE

- This cooktop is suitable for contact with foodstuffs and complies with EEC (CE) Regulation n. 1935/2004.
- This hob (Class Y) has been designed to be used only for cooking. Any other use (such as heating a room) is improper and dangerous.
- This hob has been designed, constructed and marketed in compliance with:
 - safety objectives of the "Low Voltage" Directive 2006/95/EC (which replaces 73/23/EEC and subsequent amendments).
 - protection requirements of EEC Directive "EMC" 2004/108.
 - requirements of EEC Directive 93/68

The Manufacturer reserves the right to change product specifications without prior notice.

