

EXTRACTOR OR FILTERING HOOD INSTALLATION

The minimum distance between the support surface of the recipients on the cooking device and the lowest part of the hood must not be less than 50 cm in case of electric cookers and 70 cm for gas or combination cookers. If the installation instructions for the gas cooker specify a greater distance, this must be taken into account. Contact a qualified technician for installation.

Do not connect the hood to the electrical power supply until installation is completed.

Warning! The exhaust pipe and clamps are not supplied and must be bought separately.

Very heavy product; hood handling and installation must be carried out by at least two persons.

Before beginning installation, decide which version of the hood you wish to use:

Extractor Version: fumes are extracted and expelled to the outside through an exhaust duct fixed to the collar **(B)** at the top of the hood.

Warning! If the hood has a carbon filter fitted, the filter must be removed.

Filter Version: air is filtered through two carbon filters and recycled into the surrounding environment.

Warning! If the hood is not equipped with carbon filters, they must be ordered and fitted before use.

1. Mark a centre-line on the wall from the cooktop to the ceiling.
2. Bearing in mind the minimum heights over the cooktop specified above, mark the height of the hood on the wall with a pencil and place the template against the wall on the mark.
3. Using the template supplied, mark the holes, drill them and insert the rawlplugs, partly tighten 1 screw in the top rawlplug.
4. Fix the flue support to the wall as close as possible to the ceiling.
5. Hook the hood.
6. Adjust the position.
7. Fully tighten the top fixing screw.
8. Remove the grease filters and fix the hood from inside using 2 screws and washers.
9. depending on hood version:

Extractor Version:

Fix an exhaust duct with the right diameter to the exhaust outlet of the hood and connect to an exhaust system ducted to the outside (for fixture and connection of exhaust duct, utilize the most suitable system for the duct purchased).

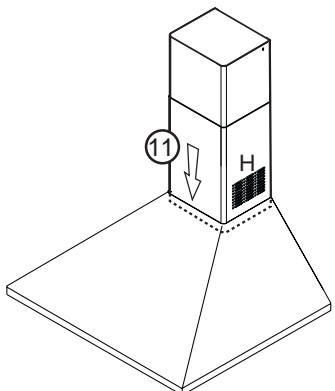
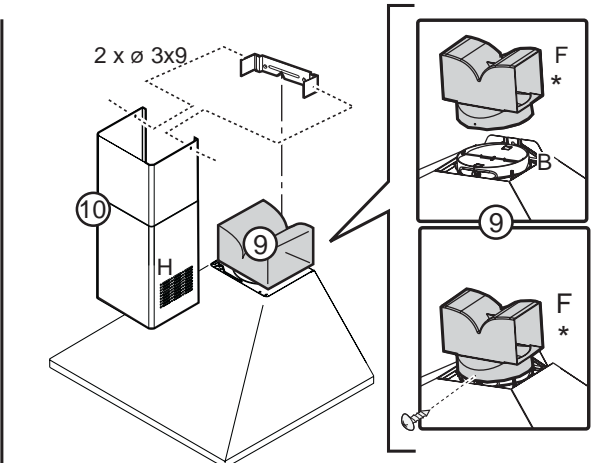
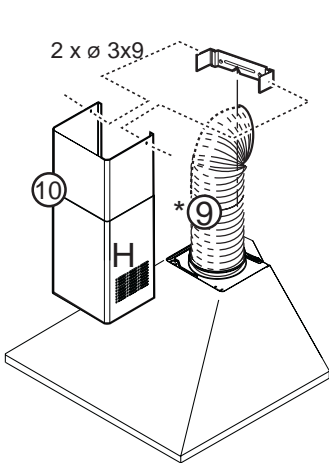
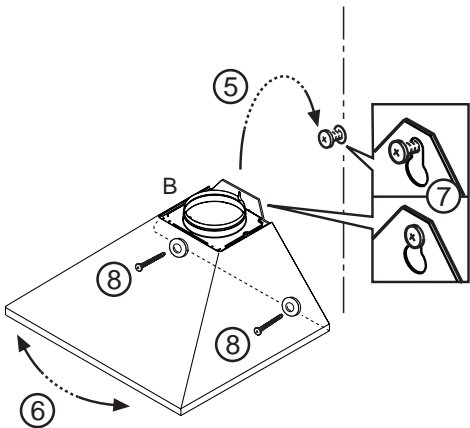
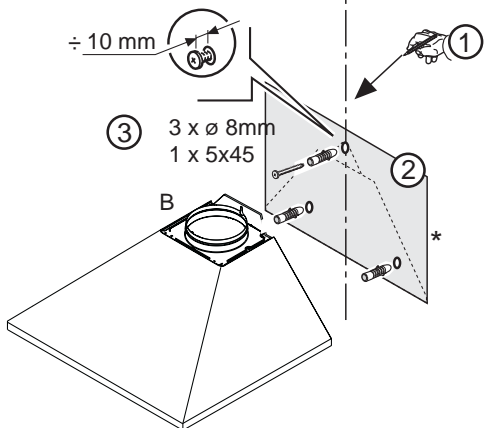
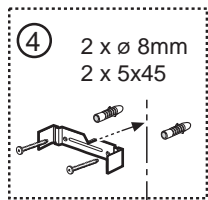
Filter Version

Install the filter connection F on the collar B and secure with 1 screw.

- **Connect the hood to the power supply!**

Telescopic flue installation:

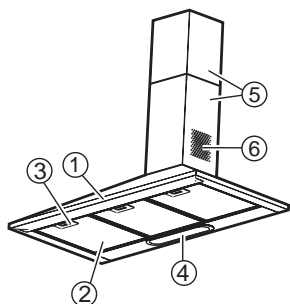
10. Fix the telescopic flue to the support with two screws.
11. Slide the bottom section down into its seat on the top of the hood.



OK!

* Only on some models

DESCRIPTION OF HOOD



1. Control panel.

Light :
move the switch to the right or press the button to switch on.

Extraction speed :
Move the switch to the right or press the next button to increase extraction speed (or open the electric shutter) .

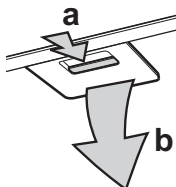
2. **Grease filter** (the number of grease filters may vary, depending on the model).
3. **Grease filter handle.**
4. **Lamp covers** (the number and position of lamps and/or lamp covers may vary, depending on the model).
5. **Telescopic flue.**
6. **Air vent** (Filter version only)

Grease filters:

Metal grease filters have an unlimited life and should be washed once a month either by hand or in a dishwasher at a low temperature and with a short cycle. Washing in a dishwasher can cause grease filters to turn white, but this in no way affects efficiency.

Removing the filter: push the spring release handle backwards (b) then remove the filter downwards (a).

Wash the filter and leave it to dry, proceeding in reverse order to refit it.

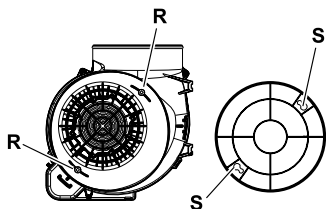


Carbon filters (filter hoods only):

Change the carbon filter every four months. It cannot be washed or regenerated.

Fitting or replacing the carbon filter (filter hoods only).

1. Remove the grease filters.
2. Fit the filter/s over the motor: make sure the **pins R** on the manifold match the **slots S**, then turn clockwise until locked.
3. Refit the grease filters.

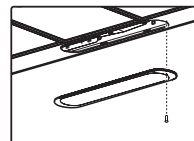


Replacing bulbs

Disconnect the appliance from the power supply.

Warning! Make sure lamps are cold before touching them.

1. Remove the clip that secures the lamp cover, then prise off using a small screwdriver or other suitable tool.
 2. Replace the burnt-out bulb. Use a 40W max (E14) bulb only.
 3. Refit the lamp cover and secure in place with the clip.
- Note:** the lamp can also be accessed by removing the grease filters, but removing the lamp in this way is more difficult.



SAFEGUARDING THE ENVIRONMENT

1. Packing

The packing materials are 100% recyclable and are marked with the recycling symbol ♻️. Comply with local regulations for disposal. Packaging materials (plastic bags, polystyrene, etc.) can be dangerous for children and should be kept well out of their reach.

2. Product

This appliance is marked in compliance with European Directive 2002/96/EC on Waste Electrical and Electronic Equipment (WEEE).

By ensuring that this appliance is scrapped suitably, you can help prevent potentially damaging consequences for the environment and health.

The symbol ♻️ on the product or the accompanying documentation indicates that this product should not be treated as domestic waste but must be taken to a suitable collection centre for the recycling of electrical and electronic equipment. Disposal must be carried out in accordance with local environmental regulations for waste disposal.

For further information on the treatment, recovery and recycling of this appliance, contact your competent local authority, the collection service for household waste or the shop where you purchased the appliance.

PRECAUTIONS AND GENERAL RECOMMENDATIONS

IMPORTANT!

• **The appliance is not intended for use by young children or persons with restricted physical, sensory or mental abilities or without experience and knowledge of the appliance, unless they are under the supervision or instruction of a person responsible for their safety.**

• ⚠️ Young children should be supervised to ensure that they do not play with the appliance.

1. Do not connect the appliance to the mains power supply until installation has been fully completed. Always disconnect the hood before cleaning or carrying out maintenance by unplugging it or switching off the power supply.
2. Do not "flambé" food under the hood. Naked flames could cause a fire.
3. Do not leave pans unattended when frying. Cooking oil can catch fire.
4. Regular cleaning and maintenance is essential to correct functioning and good performance. Regularly remove dirt deposits. Regularly clean or replace filters. Never use flammable materials as hoses for extracted air.
5. If the hood is used together with other appliances operating on gas or other fuels, the negative pressure in the room must not exceed 4Pa (4×10^{-5} bar). For this reason, make sure the room is adequately ventilated.
6. Exhaust air must not be conveyed through the same flue used by the heating system or other appliances powered by gas or other fuels.
7. The room must be adequately ventilated when the hood is used together with appliances powered by gas or other fuels.
8. Make sure lamps are cold before touching them.
9. The discharge air must not be ducted to a flue used for removing fumes produced by appliances using gas or other fuels, but must have a separate outlet. All national regulations on air discharge must be observed.
10. The hood is not a shelf, therefore do not overload or place objects on it

Note: Always wear work gloves for all installation and maintenance operations.

⚠️ Electrical connections

The mains power supply must correspond to the voltage indicated on the appliance rating plate located inside the hood. If provided with a plug, connect the hood to a power socket complying with current regulations and located in an accessible area. If it does not have a plug (direct connection to the power supply) or if the socket is not in an accessible place, fit a suitable double-pole switch that ensures complete disconnection from the power supply in category III overvoltage conditions, complying with the installation rules.

IMPORTANT: Before reconnecting the hood circuit to the power supply and checking correct operation, always make sure the power cable is correctly fitted and that it was NOT crushed in its housing during installation.

Cleaning the hood

Warning! Failure to remove oil/grease (at least once a month) could result in fire.

Use a soft cloth with a neutral detergent. Never use abrasive substances or alcohol.

Before using the hood

To ensure best use of your hood, please read these instructions carefully and keep them for future reference.

Packaging materials (plastic bags, polystyrene, etc.) can be dangerous for children and should be kept well out of their reach.

Make sure the hood has not been damaged during transport.

Declaration of conformity

This product has been designed, manufactured and sold in conformity to the following standards:

- safety objectives of the "Low Voltage" Directive 2006/95/CE (which replaces 73/23/CEE and subsequent amendments)
- protection requirements of "EMC" Directive 89/336/EEC amended by Directive 93/68/EEC.

Troubleshooting guide

The hood does not work:

- Is the plug properly inserted in the power socket?
- Is there a power failure?

The hood is not extracting sufficiently:

- Is the right speed selected?
- Do the filters need cleaning or changing?
- Are the air outlets blocked?

The light does not work:

- Does the lamp need replacing?
- Is the lamp correctly fitted?

AFTER-SALES SERVICE

Before calling the After-Sales Service

1. Check to see if you can fix the problem yourself (see "Troubleshooting Guide").
2. Switch the hood off and then on again to check if the problem has gone.
3. If the problem persists, contact the After-Sales Service.

Specify:

- the nature of the problem,
- the product model given on the dataplate inside the hood, visible on removing the grease filters.
- your full address,
- your telephone number and area code.
- the Service code (the number under the word SERVICE on the dataplate inside the hood, behind the grease filter).

If any repairs are necessary, contact an authorised Service Centre (to ensure the use of original spare parts and correct repair).

Failure to comply with these instructions can compromise the safety and quality of the product.

SERVICE



0000 000 00000