

INSTRUCTIONS FOR USE

INSTALLATION

ELECTRICAL CONNECTION

BEFORE USING THE OVEN

SAFEGUARDING THE ENVIRONMENT

PRECAUTIONS AND GENERAL RECOMMENDATIONS

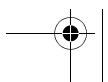
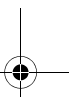
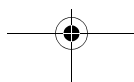
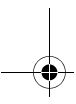
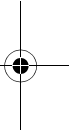
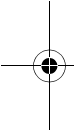
OVEN ACCESSORIES

CARE AND CLEANING

TROUBLE-SHOOTING GUIDE

AFTER SALES SERVICE

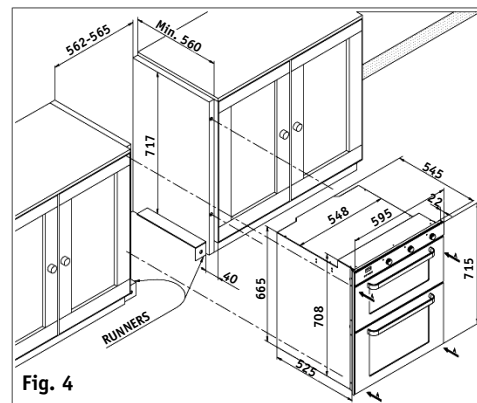
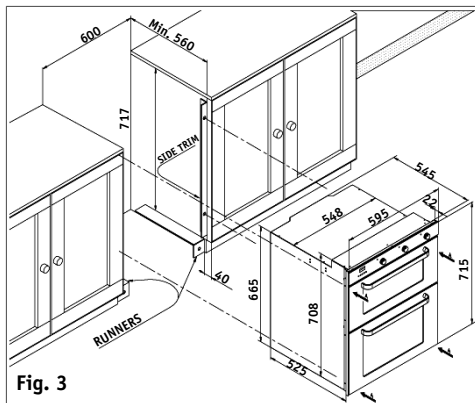
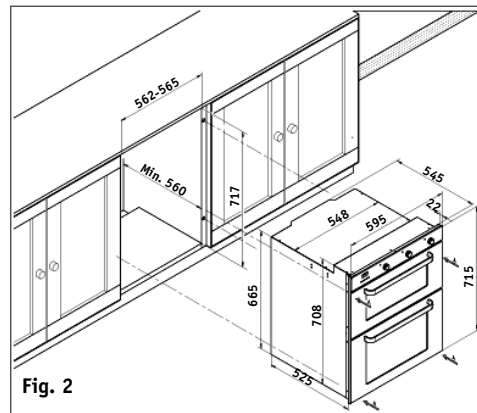
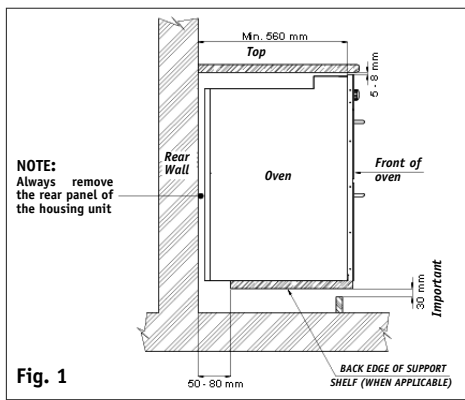
DECLARATION OF CONFORMITY CE



INSTALLATION

Technical information for the installer

- The oven has been designed to be installed under a worktop surface.
 - Do not lift the oven by the handle, but hold it by the sides.
 - Make sure that the appliance was not damaged during transport.
 - The oven and unit dimensions are shown in the below figures.
 - The units in contact with the oven must be heat-resistant (min. 85°C).
 - If the plastic laminates or the sealing material are not sufficiently heat resistant, this may result in the formation of bubbles, deformation of the surface or detachment of the coating.
 - Insert the oven in the unit cavity, lifting it by the sides and being careful not to trap the power cable.
 - The oven and housing dimensions are illustrated in the below figures.
 - For correct ventilation, follow the ventilation opening directions shown in the figure 1.
 - Two systems can be used to fit your appliance to a chosen furniture layout:
 - A.** Between two side panels of two distinct cabinet units without the aid of a support shelf, by fitting four support steel brackets provided with the product. (fig. 3).
 - B.** Between two side panels each fixed to the side of a cabinet unit without the aid of a support shelf. In this case only the two lower support brackets will be necessary (fig. 4).
- Note:** In both of the above cases you must measure 717 mm from the underside of the worktop and mark the correct position of the lower support brackets before fixing them to the sides. With reference to (fig. 3), ensure the side support brackets are positioned 40 mm from the front of the cabinet door exterior surface, as illustrated, before securing them to the cabinet sides. If necessary, this product can be installed in a housing unit (fig. 2). The housing unit will not be a standard one but will have to be of a size that can accommodate the full height of the oven - minimum height 717 mm. This housing unit will need to fulfil the ventilation requirements.
- Fasten the oven using the screws.



ELECTRICAL CONNECTION


- **Warning:** This appliance must be earthed.
- Electrical installation must comply with all relevant local and national regulations. Make sure that the voltage supply is the same as the voltage shown on the rating plate positioned on the lower part of the front of the oven.
- This appliance must be connected to an a. c. single phase 230V, 50Hz electricity supply.
- The total rated load is 4.120 kW, connect the appliance accordingly.
- Fit an all-pole On/Off switch between the appliance and the power supply with minimum contact separation of 3 mm.
- If necessary, the electrical power cable must be replaced exclusively with a power cable having identical characteristics to the original supplied by the manufacturer. This operation must be performed by the After Sales Service or a qualified electrician.

BEFORE USING THE OVEN

- For best use of this oven read the instructions for use carefully and keep them in a safe place.
- Remove the cardboard and polystyrene protection from inside the oven.
- Clean the inside of the oven with non abrasive soap and warm water.
- Remove the accessories from the oven and heat it at the maximum temperature for about 1 hour to remove the odour and fumes from the insulating material and the protective greases.
- The window should be kept open during this operation.

SAFEGUARDING THE ENVIRONMENT

1. Packing

- The packaging material is 100% recyclable, as confirmed by the recycling symbol .

2. Oven

- The oven has been manufactured with recyclable or reusable material. Dispose of it following the local regulations for waste disposal. If the oven is to be scrapped, cut off the power cable.



PRECAUTIONS AND GENERAL RECOMMENDATIONS

- This oven is designed solely for use as a home appliance for cooking food. Any other use is forbidden. The manufacturer assumes no responsibility for damage caused by improper or incorrect use.
- Any repairs or servicing must be carried out exclusively by a qualified technician.
- Never expose the oven to atmospheric agents.
- Do not put heavy objects on the doors because they could damage the oven cavities and hinges. Do not cling to the doors.
- Never hang anything heavy on the oven doors handles.
- **Do not cover the bottom of the oven with aluminium foil or other objects.**
- The oven doors must close properly. The door seals must be kept clean.
- Do not pour water directly into the inside of a hot oven. The enamel coating could be damaged.
- Fruit juice drippings from the baking tray may leave permanent stains. We recommend the oven be cleaned before reusing it.
- Never drag pots and pans across the bottom of the oven to prevent the coating from being scratched.
- Residual condensation after cooking could damage the oven and surrounding kitchen units in time. We recommend that you:
 - set the lowest temperature;
 - cover food;
 - remove food from the oven;
 - dry the wet parts when the oven is cool.
- The front panel and the handle of the oven doors warm up when the appliance is switched on for a long time at high temperatures.
- Never touch the oven with any wet part of the body and do not operate it with bare feet.
- Do not pull the appliance or the power supply cable to disconnect them from the electrical supply.

- **Keep children away from the following elements as they are sources of danger:**
 - the oven and its controls, especially when in operation and immediately afterwards to avoid injury.
 - packaging (bags, polystyrene, metal parts, etc.)
 - an oven to be scrapped.
- Make sure that the electrical cables of other appliances used near the oven do not touch hot parts and are not trapped in the oven doors.
- **Attention:** Steam and smoke are vented through an opening located between the control panel and the top oven door. Do not obstruct the vent opening.
- Do not place inflammable material in the oven or nearby: a fire may break out if the oven is inadvertently switched on.
- Use oven gloves to remove pans and accessories, when the oven is hot.
- If alcoholic beverages are added when roasting or cooking cakes and sweets (for example, rum, cognac, wine, etc.) remember that alcohol evaporates at high temperatures. It may happen that vapours released by the alcohol can catch fire when they are in contact with the electric heating element.
- Do not heat sealed containers in the oven (except for packages specifically designed for this purpose; see the manufacturer's instructions). The pressure that develops inside the packaging might cause it to explode, damaging the oven.
- Do not use containers made of synthetic material for cooking (except for packages specifically designed for this purpose; see the manufacturer's instructions). They could melt at high temperatures.
- Keep an eye on the oven if you are using a lot of fat or oil. Oil and fat can overheat and catch fire!
- Never pull out fully loaded shelves. Use extreme caution.

OVEN ACCESSORIES

Drip tray ①

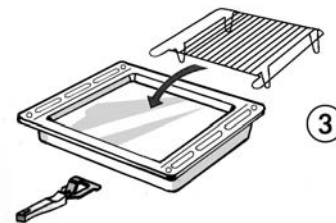
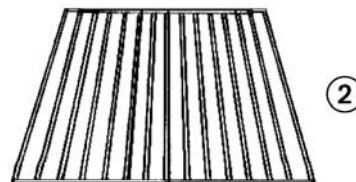
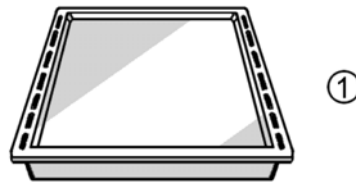
The drip tray is designed to collect fat and food particles when it is positioned under the grid or as a plate, such as when cooking meat, chicken and fish with or without vegetables. Pour water in the drip tray to cover the bottom to reduce smoke and fat spatters.

Wire shelf ②

To be used to cook food or as a support for pans, cake tins or any other cooking container. It can be positioned on any level available.

Kit "Grill Pan Set" ③

The set comprises a grid, to be placed on the drip tray, and one handle.



CARE AND CLEANING

Important: Do not use water pressure cleaners or steam cleaners.

Exterior of the oven

- Clean with a damp cloth. If it is very dirty, add a few drops of washing up detergent to the water. Wipe with a dry cloth.
- Do not use corrosive or abrasive detergents, which dull the surface. In the event that one of these products comes into contact with the oven, immediately clean it using a damp cloth.
- Slight differences in colour on the front of the appliance are determined by the different materials used, such as glass, plastic and metal.

Accessories

- Soak the accessories in water with washing up detergent immediately after use. Food residues can be easily removed using a brush or sponge.

Oven cavity

- Do not use abrasive cleaners or pan scourers. Use special oven cleaners and follow the manufacturer's instructions.
- After every use, wait for the oven to cool then clean it to prevent the build-up of baked-on food residues.
- With long cooking times or when cooking on different levels, especially food with a high water content (pizzas, stuffed vegetables, etc.) condensation may form on the inside of the doors and the seal. When the ovens are cool, dry the inside of the doors with a cloth or sponge.
- Clean the glass of the doors with a suitable liquid detergent.

Replacing the bulb

Warning: Disconnect the appliance from the power supply.

To remove the side runner frame, push it simultaneously down and towards the centre of the oven (A-fig.1). Then lift the side runner frame upwards to release it from the cavity wall (B-fig.1).

Prise off the glass cover C using a screwdriver E.

Change the lamp D (fig. 2).

Note: use only 25 W/230 V, E-14 type, T300°C bulbs available from After Sales Service.

Refit the glass cover, pressing it slightly (fig. 2).

To refit the side runner frame, follow the steps above in reverse order.

Removing the oven doors (for cleaning)

To facilitate cleaning, the oven door can be removed as follows:

Hinges F are provided with two movable bolts G.

When bolt G is raised, the hinge is released from its housing. Having done this, the door must be lifted upwards and removed, sliding it outwards; hold the sides of the door near the hinges when performing these operations.

To refit the door, insert the hinges into their seats and open the door fully.

Remember to rotate the two movable bolts G used to hook the two hinges before closing the door (fig. 3).

WARNING

- Take care not to dislodge the hinge lock system when removing the door as the hinge mechanism has a strong spring system!
- Do not immerse the door in water at any time.

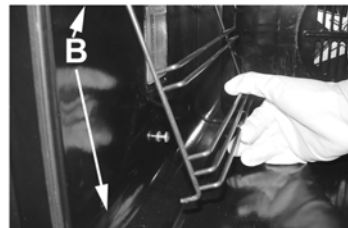
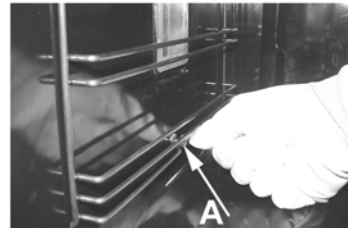


Fig. 1

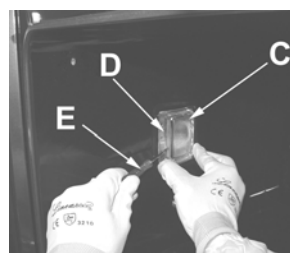


Fig. 2



Fig. 3

TROUBLE-SHOOTING GUIDE

1. The oven does not heat:

Check:

- Has the selector knob been set to the required function?
- Has the temperature been set?
- Is there a power failure?

2. The interior light does not switch on:

Check:

- Is there is a power failure?
- Is the bulb faulty? If so, replace it.

AFTER SALES SERVICE

Before contacting AFTER SALES SERVICE:

1. Check whether you can deal with the problem without help (see "Trouble-shooting Guide").
2. Switch the appliance on again to check whether the problem persists.

If after these checks the oven does not work correctly, contact the nearest After-Sales Service.

Please give:

- a short description of the fault,
- the exact type and model,
- the service number (number after the word "SERVICE" on the rating plate) indicated inside the bottom oven on the right side (visible when the oven door is open).

The service number is also indicated on the guarantee booklet,

- your complete address and phone number.
- Repairs made under the guarantee always require the intervention of the **Manufacturer's authorised service centres**, as shown in the guarantee conditions.

In the event you need an intervention by **technicians not belonging to a manufacturer-authorised service centre**, make sure you are given a receipt showing the work performed and make sure that the replacement parts used were **manufacturer's original parts**.

Following these simple rules will guarantee the product's quality and safety.

SERVICE 00 0000 00000



DECLARATION OF CONFORMITY CE

- This oven is intended to come into contact with food products and conforms with European Directive 89/109/EEC.
- This oven has only been designed for use as a cooking device. Any other use (such as heating rooms) is to be considered improper and, as a consequence, dangerous.
- This oven has been designed, built and sold in compliance with:
 - the safety requirements of "Low Voltage" Directive 73/23/EEC;
 - the protection requirements of EMC Directive 89/336/EEC;
 - the requirement of Directive 93/68/EEC.