

INSTRUCTIONS FOR USE

INSTALLATION profit	93
SAFEGUARDING THE ENVIRONMENT	98
IMPORTANT NOTES	98
BEFORE USING THE OVEN	99
OVEN ACCESSORIES	100
CARE AND MAINTENANCE	100
TROUBLESHOOTING GUIDE	102
AFTER SALES SERVICE	102

To make the most of your new oven, read the user's instructions carefully and keep them on hand for consultation in the future.

INSTALLATION

Recommendations

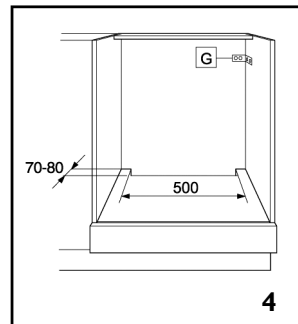
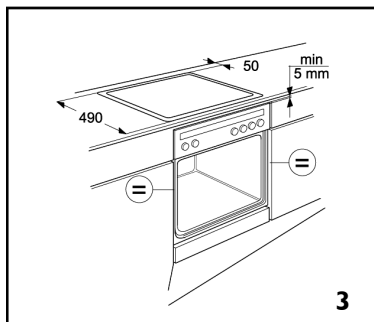
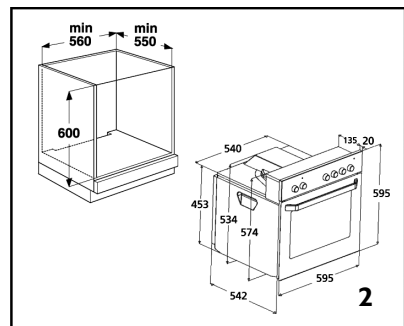
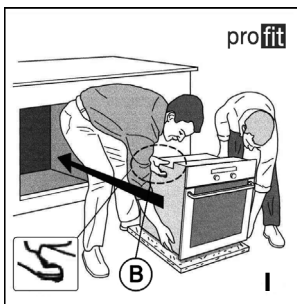
IMPORTANT: Disconnect the oven from the mains before carrying out any installation work or servicing.

- Installation must be carried out by a qualified technician in accordance with the manufacturer's instructions and in compliance with local regulations.
- Unpack the oven and make sure that the oven has not been damaged during transport and that the oven door closes properly. **If you are not sure contact the dealer or the nearest service centre.**
- After removing the oven from its packaging, leave it on the polystyrene base to prevent it from being damaged.
- When installing the oven it is advisable to wear protective gloves.
- The oven is provided with two side handles proffitt (B) to facilitate installation (fig. 1).

Preparing the housing unit

Built-under oven

- Kitchen units in contact with the oven must be heat resistant (80°C min).
- Cut the kitchen unit and worktop to fit before installing the appliances. Carefully remove any shavings or sawdust that could prevent the appliances from running properly.
- The dimensions of the oven and unit are shown in figures 2-3-4.
- To allow for proper ventilation, an opening should be left at the bottom of the housing unit. Pay attention to the dimensions in fig. 4. **The bottom of the oven must not be accessible after installation.**
- Leave a minimum clearance of 5 mm between the upper edge of the oven and the lower edge of the worktop. **This clearance must never be obstructed (fig.3).**
- During installation make sure that the sides of the oven do not touch the adjacent units.
- If the kitchen unit is not securely fixed to the wall, it must be anchored with standard brackets (G) available on the market, see fig. 4.



Hob

Attention: to install the hob on other surfaces than wood (e.g. plastic, ceramic, marble, stone, etc.) remember to ask After Sales Service for the fixing plates (Fig. 7-9).

- The hob must be fitted in a worktop with a minimum thickness of 20 mm and a maximum of 50 mm.
- There must be nothing between the hob and the oven (e.g. cross rails, insulating material, etc.).
- An adjacent column unit must be installed at least 100 mm from the edge of the hob (Fig. 5).
- Cut an opening in the worktop of the dimensions shown on the Product Description Sheet provided with the worktop.
- We recommend you seal the internal edges of the worktop with wood glue or silicone.
- If not already in place, apply the supplied seal to the hob, after cleaning the adhesive surface thoroughly.

Conventional electric hob

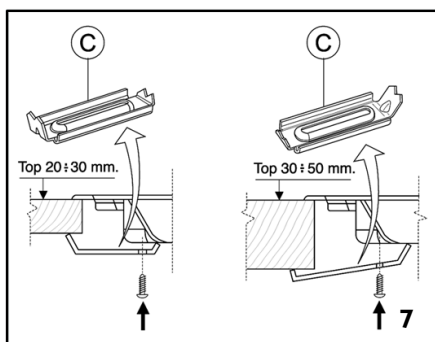
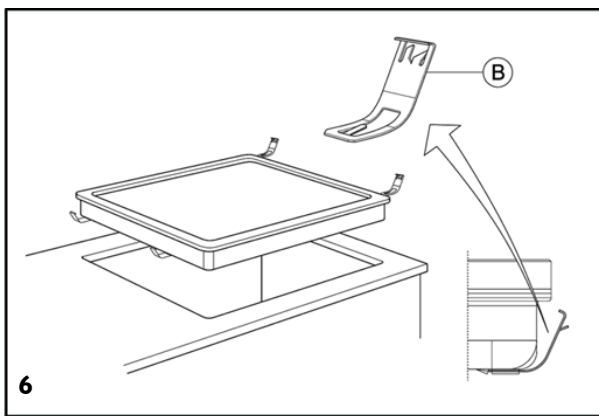
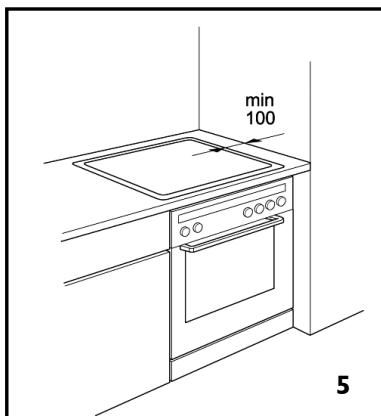
IMPORTANT: Remove any protective film before installing the hob.

- **If the worktop is made of wood, use the spring clips and screws provided.**

1. Insert the 4 spring clips (B) (fig. 6) in their guides on the bottom of the hob.
2. Fit the hob into the worktop.

- **If the worktop is made of marble or other material (e.g. plastic, ceramic, marble, stone, etc.), the hob must be secured with special brackets (C) (Fig. 7), code 4819 310 18528, available at After Sales Service.**

1. Fasten the brackets into the holes with the screws provided.
2. Fit the hob into the worktop.



Glass-ceramic hob

IMPORTANT: Remove any protective film before installing the hob.

Make sure that the opening in the worktop for the hob is cut according to the dimensions given in the drawing on the Product Description Sheet. Pay attention to the tolerance range.

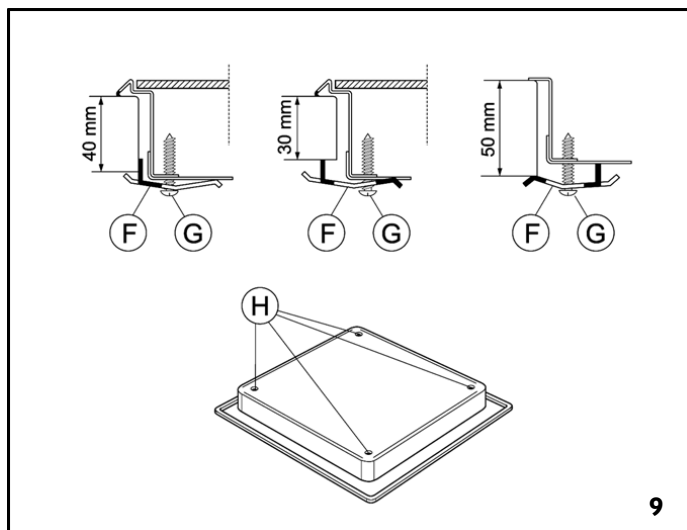
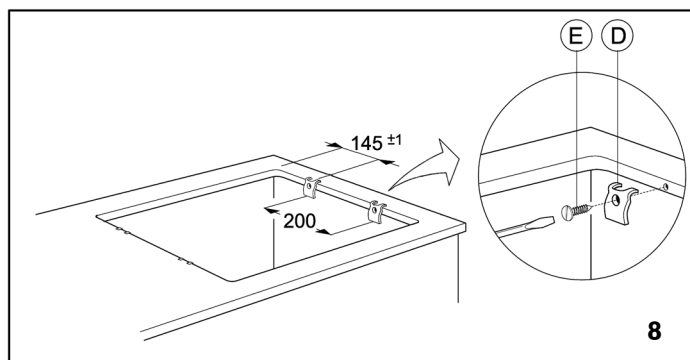
The hob should not be forced into the worktop. Forcing the glass-ceramic top may cause it to crack (even at a later date)!

• **If the worktop is made of wood**, use the spring clips and screws provided (fig. 8).

1. Secure the spring clips (D) (fig. 8) with the screws provided (E) (fig. 8) as shown, paying attention to the specified distances.
2. Fit the hob into the worktop.

• **If the worktop is made of marble, plastic, ceramic, stone, etc.**, the hob must be secured with special brackets (F) (fig. 8), Code 4819 404 78697 available at After Sales Service.

1. Fit the hob into the worktop.
2. Place the 4 brackets (F) in position in accordance with the thickness of the worktop as shown in fig. 9.
3. Fasten the 4 screws (G) in the positions (H) (fig. 9).








Electrical connection

Regulations require that the appliance be earthed.

- Connection to the mains must be carried out by a qualified electrician in accordance with the manufacturer's instructions and in compliance with local regulations.
- The installer is responsible for connecting appliances correctly to the mains and for observing the safety regulations.
- The oven power cable must be long enough to connect the built-in appliance to the mains.
- Observance of safety directives requires that a multi-pole switch with a minimum contact gap of 3mm be used for the installation.
- Do not use multiple plug adapters or extension leads.
- After the oven has been installed, the electrical components must be inaccessible.


Connecting the oven to the power supply

- Make sure that the voltage indicated on the rating plate is the same as the mains voltage. The rating plate is on the front edge of the oven (visible when the door is open).
1. Remove the two fastening screws of the terminal box cover located on the bottom part of the oven's rear covering.
 2. Remove the cover to gain access to the terminal box and insert the power cable (see table) through the opening located on the bottom of the oven.
 3. Connect the cable to the terminal box, tighten the screws as far as they will go and secure it to the cable fastener.
 4. Put the cover back on by inserting the two blades in the slots and fasten it with the two screws.

N° of conductors	Type of cable
1N+  ~	H05 RR-F 3 X 4 mm ²
2 +  ~	H05 RR-F 3 X 4 mm ²
2N+  ~	H05 RR-F 4 X 2.5 mm ²
3N+  ~	H05 RR-F 5 X 1.5 mm ²
3 +  ~	H05 RR-F 4 X 2.5 mm ²

Interconnecting hob and oven

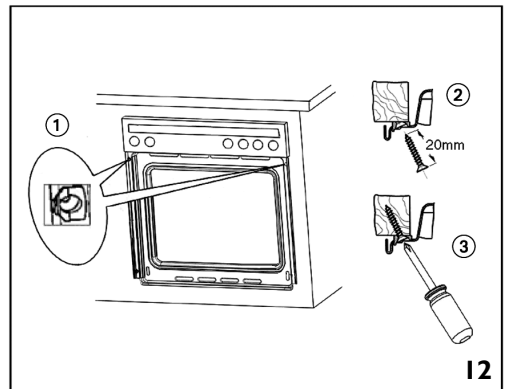
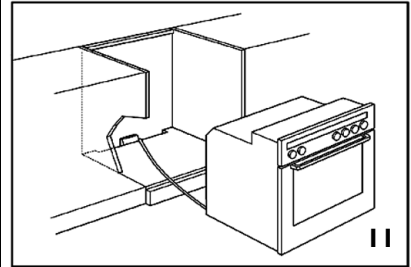
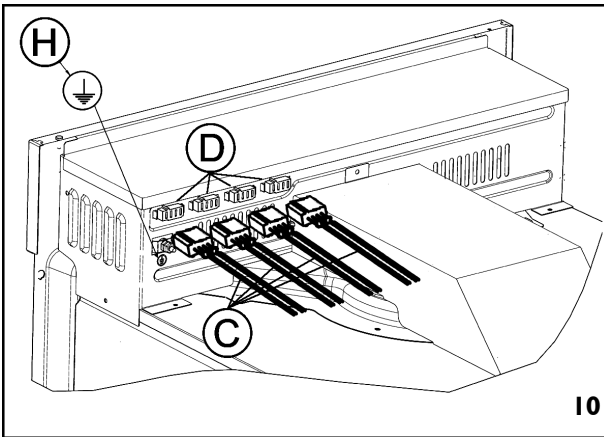
IMPORTANT: do not connect the oven to the power supply before you have finished connecting the oven and hob.

- Before connecting the oven to the power supply, make sure that the hob is among the ones listed in the hob/oven pairing product sheet provided.
- Connect the hob connectors (C) (Fig. 10) to the oven connectors (D), making sure that you match the colours and that the connector slots are aligned.
- Insert the connectors and push them in until they click into place.
- Unscrew the nut of the ground screw (H) (Fig. 10)  located on the top covering of the oven and insert the yellow/green earth wire, leaving the washer in place. Firmly retighten the nut of the ground screw.

Important: if the hob terminals do not match the connection and colours given on the connection label located on the top of the oven, require the adapter kit, code **AMC 873**, available from After Sales Service.

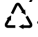
Securing the oven

- Lift up the oven getting hold of it by the openings on the sides and insert it into the housing unit, being careful not to trap the power supply cable (fig. 11).
- Center the oven in the housing unit before securing it.
- Make sure that the plastic spacers are positioned correctly in the fastening holes. Then anchor the oven to the housing unit with the screws provided (Fig. 12).



SAFEGUARDING THE ENVIRONMENT

Disposal of packaging materials

- The packaging material is 100% recyclable and is marked with the recycle symbol .
- The various parts of the packing must therefore be disposed of responsibly and in full compliance with local authority regulations governing waste disposal.




Disposal of used household appliances

- The appliances are built from recyclable or reusable materials. When scrapping them, comply with local waste-disposal regulations. Before scrapping, cut off the power cords so that the appliances cannot be connected to the mains.
- This appliance is marked in compliance with European Directive 2002/96/EC on Waste Electrical and Electronic Equipment (WEEE).
- By ensuring this product is disposed of correctly, you will help prevent potential negative consequences for the environment and human health, which could otherwise be caused by inappropriate waste handling of this product.

IMPORTANT NOTES

Warning:

- **The appliance must not be used by people (including children) with limited physical, sensory or mental abilities, or without experience or expertise, unless they have received instructions for using it from those responsible for their safety.**
- **Not intended for use by young children and infirm persons without supervision.**
- **Young children should be supervised to ensure they not play with the appliance.**
- **The accessible parts of the oven may get very hot during use. Keep children away.**
- **Never use abrasive materials or substances to clean the GLASS, to prevent damaging it.**
- **The unit gets very hot during use. Do not touch the heating elements in the oven.**
- This oven is designed solely for use as a home appliance for cooking food. No other type of use is allowed. The Manufacturer declines all responsibility for inappropriate use or incorrect setting of the controls.
- Any repairs or adjustments must be carried out exclusively by a qualified technician.
- Never expose the oven to atmospheric agents.
- Do not put heavy objects on the door because they could damage the oven cavity and hinges. Do not cling to the door.

- The  symbol on the appliance or accompanying documentation indicates that this product should not be disposed of as unsorted municipal waste but must be taken to a collection point for the treatment of WEEE. Disposal must be carried out in accordance with local environmental regulations for waste disposal. For more detailed information about treatment, recovery and recycling of this product, please contact your local city office, your household waste disposal service or the shop where you purchased the product.

Energy saving

- Only pre-heat the oven if specified in the cooking table of the Product Description Sheet or in your recipe.
- Use dark, black enamelled baking moulds as they absorb heat very well.

- Never hang anything heavy on the oven door handle.
- **Do not cover the bottom of the oven with aluminium foil or other objects.**
- The oven door must close properly. The door seals must be kept clean.
- Do not pour water directly into the inside of a hot oven. The enamel coating could be damaged.
- Fruit juice drippings from the baking tray may leave permanent stains. We recommend the oven be cleaned before reusing it.
- Never drag pots and pans across the bottom of the oven to prevent the coating from being scratched.
- Residual condensation after cooking could damage the oven and surrounding kitchen units in time. We recommend that you:
 - set the lowest temperature;
 - cover food;
 - remove food from the oven;
 - dry the wet parts when the oven is cool.
- The front panel and the handle of the oven door warm up when the appliance is switched on for a long time at high temperatures.
- Never touch the oven with any wet part of the body and do not operate it with bare feet.
- Do not pull the appliance or the power supply cable to disconnect them from the electrical supply.

- **Do not allow children to touch:**

- the oven and its controls, especially when in operation and immediately afterwards to avoid injury;
 - packaging (bags, polystyrene, metal parts, etc.);
 - an oven to be scrapped.
- Make sure that the electrical cables of other appliances used near the oven do not touch hot parts and are not trapped in the oven door.
 - Some oven models are equipped with an air cooling system to prevent the front of the oven and cabinet cavity from reaching excessively high temperatures.

Attention: Steam and smoke are vented through an opening located between the control panel and the oven door. Do not obstruct the vent opening.

- Do not place inflammable material in the oven or nearby: a fire may break out if the oven is inadvertently switched on.
- Use oven gloves to remove pans and accessories, when the oven is hot.
 - If alcoholic beverages are added when roasting or cooking cakes and sweets (e.g. rum, cognac, wine, etc.) remember that alcohol evaporates at high temperatures. It may happen that vapours released by the alcohol can catch fire when they are in contact with the electric heating element.
 - Do not heat or cook sealed jars or containers in the oven. The pressure that develops inside the packaging might cause it to explode, damaging the oven.
 - Do not use containers made of synthetic material for cooking (except for packages specifically designed for this purpose; see the manufacturer's instructions). They could melt at high temperatures.
 - Always keep a watch on pans when cooking with oil and grease. Oil and fat can overheat and catch fire!

BEFORE USING THE OVEN

- Remove the accessories from the oven and heat it 200°C for about an hour to eliminate the smell of the protective grease and insulating materials. Keep the window open during this operation.
- Before use, remove:
 - stickers on the front and oven door, except for the rating plate;
 - cardboard protection and protective plastic film from the front panel controls and other parts of the oven;
 - any sticky labels from the accessories (for example, under the drip tray).

OVEN ACCESSORIES

The accessories not provided with the oven can be bought separately from After Sales Service. The accessories provided with the oven are listed in the Product Description Sheet provided separately (under Accessories).

Drip tray (1)

The drip tray is designed to collect fat and food particles when it is positioned under the grid or as a plate, such as when cooking meat, chicken and fish with or without vegetables. Pour a little water into the drip tray to prevent splatters of fat and smoke.

Baking tray (2)

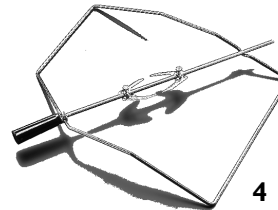
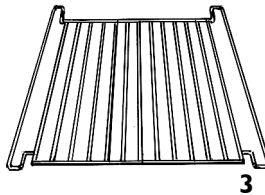
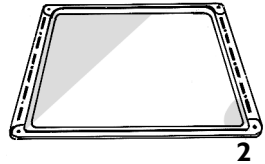
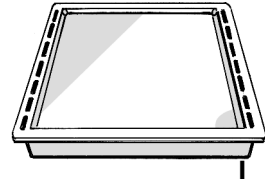
For cooking biscuits, cakes and pizzas.

Grid (3)

The grid can be used to grill food or as a support for baking trays, cake tins and other cooking receptacles. It can be placed on any of the runners in the oven. The grid can be inserted with its curved side facing upwards or downwards.

Turnspit (4)

Use the turnspit as indicated in the relevant chapter in the Product Description Sheet supplied separately.



CARE AND MAINTENANCE

Important: never clean the appliance with high pressure water or steam cleaning equipment.

Exterior of the oven

- Clean with a damp cloth. If it is very dirty, add a few drops of washing up detergent to the water. Wipe with a dry cloth.
- Do not use corrosive or abrasive detergents, which dull the surface. In the event that one of these products comes into contact with the oven, immediately clean it using a damp cloth.
- Slight differences in colour on the front of the appliance are determined by the different materials used, such as glass, plastic and metal.

Ovens with aluminium front panel

- Clean using a delicate detergent and a soft window cleaning cloth or a microfibre cloth that does not leave fibres on the surface. Wipe horizontally, without exerting pressure.
- Do not use corrosive products, hard sponges or rough cloths. Clean the aluminium surfaces with a dry cloth.

Accessories

- Soak the accessories in water with washing up detergent immediately after use. Food residues can be easily removed using a brush or sponge.

Attention: When carrying out the following operations it is advisable to wear protective gloves. These instructions should be carefully followed both to prevent injury and in order not to damage the oven door and hinges.

How to remove the oven door:

1. Open the oven door fully (see fig. 1).
2. Lift the two catches and push them forwards as far as they go (see fig. 2).

3. Remove the door by closing it partially and pulling it upwards (see fig. 3).

Pay attention to the hinges when cleaning and/or removing the door (fig. 4).

To remount the door:

1. Insert the hinges into their grooves and lower the door fully.
2. Lower the two catches.
3. Close the oven door fully.

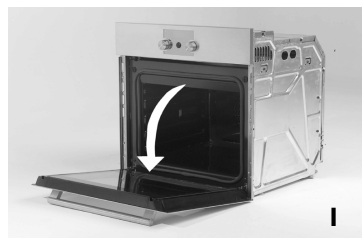
Attention: These instructions should be carefully followed both to prevent injury and in order not to damage the oven door and hinges.

Changing the rear oven lamp bulb:

1. Disconnect the oven from the electrical supply.
2. Let the oven cool before turning the lamp cover left to unscrew it (see fig. 5).
3. Change the bulb (see note).
4. Screw the lamp cover back on.
5. Reconnect the oven to the electrical supply.

Note: use only 25 W/230 V, E-14 type, T300°C bulbs available from After Sales Service.

IMPORTANT: Do not use the oven until the lamp cover has been repositioned.




TROUBLESHOOTING GUIDE

Oven not working:

- Check for the presence of mains electrical power and if the oven is connected to the electrical supply.
- Turn off the oven and restart it to see if the fault persists.

IMPORTANT:

- Check that the oven control knob is not turned to “0” or to “lamp” .

If the electronic programmer (depending on model) display presents the message “SEOP”, consult the product description sheet provided separately and/or the electronic programmer description.

- If the electronic programmer (depending on the model) presents the message “F HH”, contact the nearest After Sales Service. Specify in this case the number that follows the letter “F”.

AFTER SALES SERVICE

Before you call the After Sales Service:

1. Try to solve the problem yourself following the points described in “Troubleshooting Guide”.
2. Turn the appliance off and on again, to make sure that the problem has been solved.

If after the above checks the fault still occurs, get in touch with the nearest After Sales Service.

Please give:

- a brief description of the fault;
- the type and exact model of the oven;
- the service number (number after the word Service on the rating plate), located on the right hand edge of the oven cavity (visible when the oven door is open). The service number is also indicated on the guarantee booklet;
- your full address;
- your telephone number.

SERVICE 0000 000 00000



If any repairs are required, please contact an **authorised After Sales Service** (to guarantee that original spare parts will be used and repairs carried out correctly).

Failure to comply with these instructions may compromise the safety and quality of the product.

DECLARATION OF CONFORMITY

- This oven is designed to come into contact with food and complies with regulation (EC) no.1935/2004.
- This appliance is designed to be used for cooking only. Any other use (e.g. for room heating) is considered as improper use and potentially dangerous.
- This appliance has been designed, constructed and marketed in compliance with:
 - the safety requirements of “Low Voltage” Directive 2006/95/EC (replacing 73/23 EEC as amended);
 - the protection requirements of EMC Directive 2004/108/EC;
 - the requirements of Directive 93/68/EEC.