

## TABLE OF CONTENTS

GB

**DESCRIPTION OF THE DRYER** PAGE 12

**FILTER** PAGE 12

**BEFORE USING THE DRYER** PAGE 12

**PRECAUTIONS** PAGE 12

**PREPARING THE LAUNDRY** PAGE 13

**SELECTING DRYING TIME OR PROGRAMME AND OPTIONS** PAGE 14

**STARTING AND COMPLETING THE PROGRAMME** PAGE 15

**INSTALLATION** PAGE 16

**ELECTRICAL CONNECTION** PAGE 16

**VENT CONNECTION** PAGE 18

**DOOR REVERSIBILITY** PAGE 18

**MAINTENANCE** PAGE 19

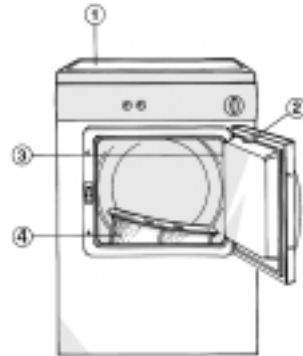
**TROUBLE SHOOTING GUIDE** PAGE 19

**AFTER-SALES SERVICE** PAGE 19

To get full satisfaction from your dryer, please read carefully your instruction manual.

## DESCRIPTION OF THE DRYER

1. **Work-top**
2. **Contact pin**
3. **Door (Door opening can be reversed).**  
See "Door reversibility" section.  
To open the door: pull the handle out.  
To close the door: push the door gently until it closes.
4. **Lint filter**



## FILTER

### Clean the lint filter at the end of each drying cycle.

1. Pull the filter upwards.
2. Brush lint using a soft brush or your fingertips.
3. Push it back into housing until it clicks.

### Filter Indicator light (if available)

It warns that the filter is dirty and needs to be cleaned.

If the laundry is insufficiently dry, check that the filter is not clogged.

## BEFORE USING THE DRYER

- After unpacking please make sure that the dryer is undamaged. In case of doubt do not use the dryer but call a qualified technician or your retailer.
- Packaging material (plastic, etc.) must be kept out of the reach of children as it constitutes a potential risk.
- This dryer was designed for domestic use and must be used exclusively for drying laundry.

### Environmental hints

1. **Packaging material**  
The packaging material can be 100% recycled, as confirmed by the recycling symbol (♻️).
2. **Dryer**  
The dryer is built from recyclable materials.



If you decide to scrap the dryer act responsibly and observe local waste disposal by laws. Cut off the power cord so that the dryer cannot be connected to the mains.

## PRECAUTIONS

### Child safety

- After use, set the programme selector to position "0". This prevents children from switching on the dryer accidentally.

**This dryer conforms to EEC directive 93/68.**

### For domestic use only.

## PREPARING THE LAUNDRY

### Laundry preparation

Check that all fastenings are closed and that pockets are empty. Turn the articles inside out. Place laundry loosely in the drum to make sure that they don't get tangled.

### Max. drying weight




- Cottons 5,0 kg
- Cottons with Rapid option 3,5 kg (electronic dryer)
- Synthetics 2,5 kg
- Delicates 1,5 kg

The given weights correspond to a standard laundry load.

### Sort laundry as follows

#### A) By care symbols

On the collar or inside seam:

-  Suitable for tumble drying
-  Tumble drying at low temperature only
-  Do not tumble dry

#### B) By amount and weight

Whenever the load is bigger than the dryer capacity, separate laundry according to weight (e.g. towels from thin underwear).

#### C) By type of fabrics

**Cottons/linen:** Towels, cotton jersey, bed and table linen made of cotton or linen.

**Synthetics:** Blouses, shirts, overalls, etc. made of polyester or polyamide, as well as for cotton/synthetic mixes.

#### D) By drying level

- Sort into: iron dry, cupboard dry, etc.

### Do not tumble dry:

Woolens, silk, delicate fabrics, nylon stockings, delicate embroidery, fabrics with metallic decorations, bulky items such as sleeping bags, etc.

**Attention: Do not dry articles which have been treated with a dry cleaning fluid or rubber articles (danger of fire or explosion). Do not dry laundry dirty with vegetable oils.**



## SELECTING DRYING TIME OR PROGRAMME AND OPTIONS

### Electronic dryer

1. Select the programme and the options as indicated in the table (see Programme Table).
2. **Options (If available)**  
To select an option, press the corresponding button before pressing the **Start** button. The indicator above the button lights up to confirm that a selection has been made. An alarm sounds to indicate that an incorrect selection has been made (incompatible options). Press the button again to cancel the option.

◇ **Delayed Start**

Delays dryer starting. Every time the corresponding button is pressed the start time is delayed from 2 to 8 hours in 2 hourly steps. After the desired time is selected, press the **Start** button. When the light flashes the delayed start is running. The delay can be changed or cancelled by selecting "0" with the programme selector knob.

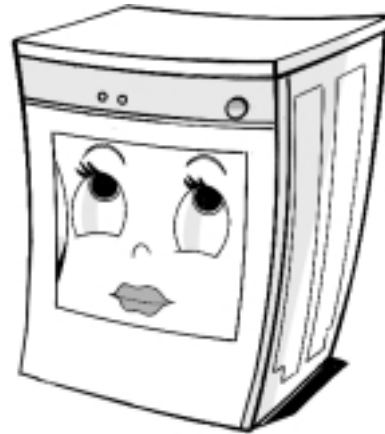
Opening the door stops the count-down. Close the door and press the **Start** button again to continue the count-down.

∞ **Gentle**

Reduces the drying temperature. Suitable for delicate articles.

📄 **Rapid (Cottons only) Max. 3,5 kg.**

Shortens the drying time (e.g. cloths or other laundry of equal size). Do not use the option for large items (e.g. sheets or similar).



🔔 **Buzzer**

Pressing the button initiates a buzzer sound to signal at regular intervals, at the end of the drying cycle.

### 3. Additional Programmes

🌀 **Airing**

The laundry will be aired during 30 minutes without heating.

🕒 **Time programme (20 to 60 minutes)**

To gently finish dry or dry single items. Suitable for all fabrics.

## SELECTING DRYING TIME OR PROGRAMME AND OPTIONS

### Time-steered dryer

1. Select the drying time and the options according to the table (see Programme Table).
2. **Options (if available)**  
To select an option, press the corresponding button. Press the button again to cancel the option.

◇ **Delayed start**

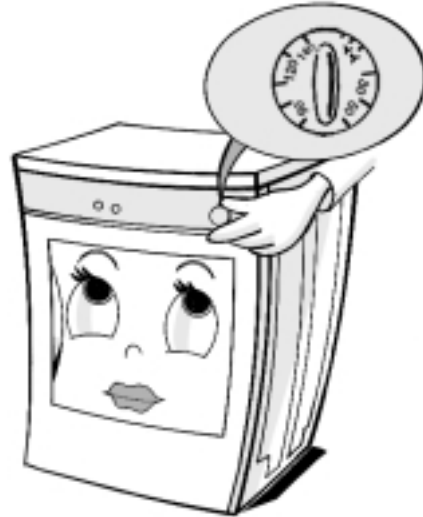
Delays dryer starting. The start delay selector should be turned clockwise to the required time delay and the **Start** button pressed. It is possible to select a delay from 1 to 8 hours. The time delay can be changed at any time by simply turning the start delay selector.

The remaining time to the programme chart is shown on the selector.

Opening the door stops the count-down. Close the door and press the **Start** button again to continue the count-down. To cancel the count-down turn start delay selector to "0".

✧ **Gentle**

Reduces the drying temperature. Suitable for delicate articles.



🔔 **Buzzer**

Pressing the button initiates a buzzer sound to signal at regular intervals, at the end of the drying cycle.

3. **Additional Programme**

🌀 **Airing**

The laundry will be aired during 20 minutes without heating.

## STARTING AND COMPLETING THE PROGRAMME

1. Having selected the desired drying time or programme and options, press the **Start** button.
2. If selected a buzzer sounds to signal the end of the drying cycle. It will sound at regular intervals for some time.
3. If you do not unload the laundry at the end of the drying cycle, an automatic anti-crease cycle will operate for maximum 20 minutes (Time-steered dryer) or 70 minutes (Electronic dryer): the drum rotates at regular intervals preventing the laundry from creasing.
4. On completion of the programme, set the programme selector knob to position "0". The "Machine On" light goes off.
5. **Clean the lint filter at the end of each drying cycle.**
6. If you change the programme (Electronic dryer) during the drying cycle the dryer stops. To operate the new programme press the **Start** button again.

### Interruption of the drying cycle

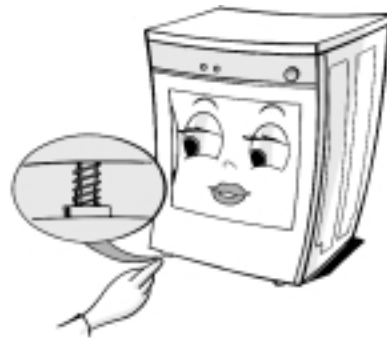
To interrupt the dryer during the drying cycle, set the programme selector knob to position (🌀) Airing and press the **Start** button again for the Electronic dryer.

Wait at least 5 minutes before opening the door to allow the dryer to cool down.

For your safety the programme stops automatically if you open the door. To restart close the door and press the **Start** button again.

## INSTALLATION

- Install your dryer in a room which is not subject to extreme conditions.
- Remove the protective foil from the control panel.
- Level the dryer adjusting the 2 feet at the front.
- Take care not to trap the mains cable between the dryer and the wall.

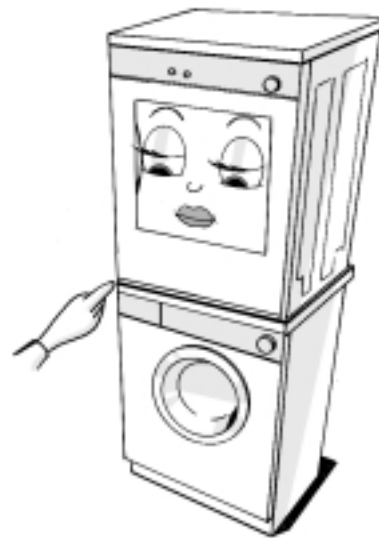


### Stacking kit

Your dryer can be stacked on top of your washing machine, using the stacking kit AMH 542, which is available from your dealer.

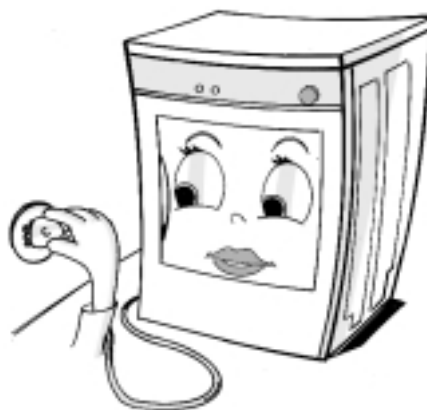
### Minimum housing dimensions:

Width: 600 mm  
Height: 850 mm  
Depth: 560 mm



## ELECTRICAL CONNECTION

- The electrical connection has to be carried out in compliance with local regulations.
- Information on the permissible operating voltage, the power consumption and the required fuse protection is given on the rating plate on the back of the dryer.
- The earthing of this dryer is compulsory by law.
- Do not use extension cords or multiple adapters.
- Before any maintenance on the dryer, disconnect it from the mains supply.
- Do not operate the dryer if it has been damaged during transport. Contact a qualified service technician.
- In case of replacement of mains cable contact a qualified service technician.



## ELECTRICAL CONNECTION

### 1) ELECTRICAL CONNECTIONS “Warning - this appliance must be earthed”

This appliance is normally supplied with a mains lead having a plug fitted in the factory which has been checked for correct earth continuity.

If the fitted plug is not suitable for your socket outlet, or if the machine's mains lead is not fitted with a plug, you should fit a suitable new, good quality plug by following the instructions in (2) below.

Any unsuitable plug should be cut off and disposed of in order to avoid a possible shock hazard should it be inserted into a socket.

### 2) CONNECTION TO A REWIRABLE PLUG - to be carried out only by a qualified electrician

The wires in the mains lead are coloured in accordance with the following code:

**BLUE** - “NEUTRAL” (“N”)

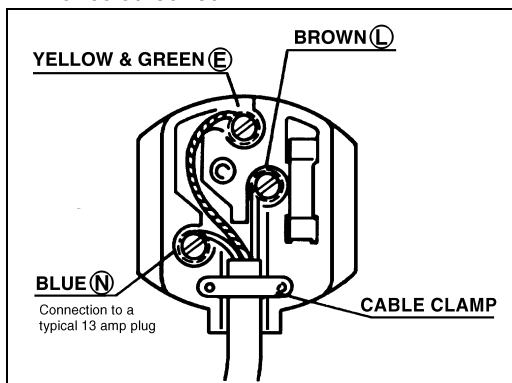
**BROWN** - “LIVE” (“L”)

**GREEN AND YELLOW** - “EARTH” (“E”)

To fit a new plug, proceed as follows:

#### 2.1 Polarized Plugs (e.g. 3 pin, 13 amp plug conforming to BS 1363A)

- The GREEN AND YELLOW wire must be connected to the terminal in the plug which is marked with the letter “E” or by the Earth symbol  $\oplus$  or coloured yellow or green and yellow.
- The BLUE wire must be connected to the terminal which is marked with the letter “N” or coloured black.
- The BROWN wire must be connected to the terminal which is marked with the letter “L” or coloured red.

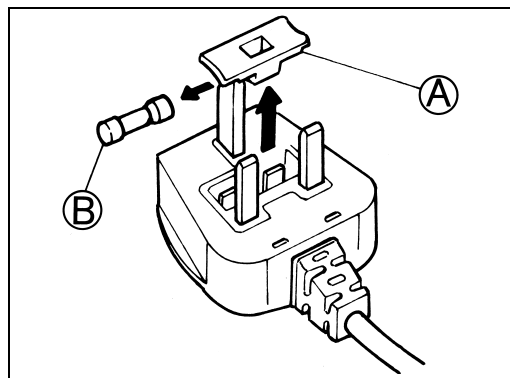


#### 2.2 Non-polarized plugs (e.g. 2 pin with side earth contact)

The wire which is coloured GREEN AND YELLOW must be connected to the earth contact. The other two wires should be connected to the two pins, irrespective of colour.

### 3) FUSE REPLACEMENT

If the mains lead of this appliance is fitted with a BS 1363A 13 amp fused plug, replace the fuse only with an A.S.T.A. approved type conforming to BS 1362 and proceed as follows:



1. Remove the fuse cover (A) and the fuse (B).
2. Fit the replacement 13 A fuse into the fuse cover.
3. Refit both into the plug.

For all other types of plug, the supply socket should be protected by a 16 A fuse or circuit breaker at the distribution board.

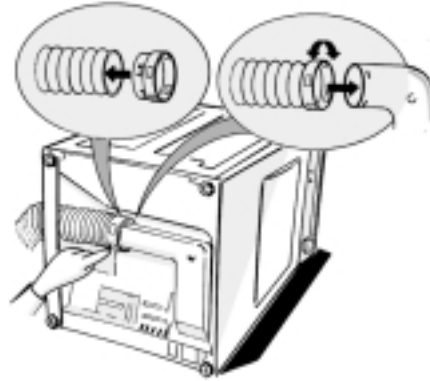
## VENT CONNECTION

When delivered from the factory the vent hose with an adaptor is in the drum.

**N.B.:** When vent hose is not supplied it is recommended to use the kit AMH 577 which is available from your dealer

### Vent hose mounting

1. Place a towel or the packaging beside the dryer.
2. Lay the dryer down on the right side on the towel or packaging (from the front).
3. Push the adaptor inside the hose (see diagram). Mount the vent hose with adaptor on the connecting branch below the dryer.



### Ventilation to the outside

- Position the vent hose to the outside without sharp bends (internal diameter 10 cm, maximum length with 2 elbows: 3m).
- When stacking on a washing machine ensure that the hose is horizontal or vertical. The vent hose should not sag down.
- Do not mount any filter on the end of the hose. The filter could block, reducing the performance of your dryer.

- Do not connect the vent hose to the heating system.
- Use only outlets insulated from the damp.

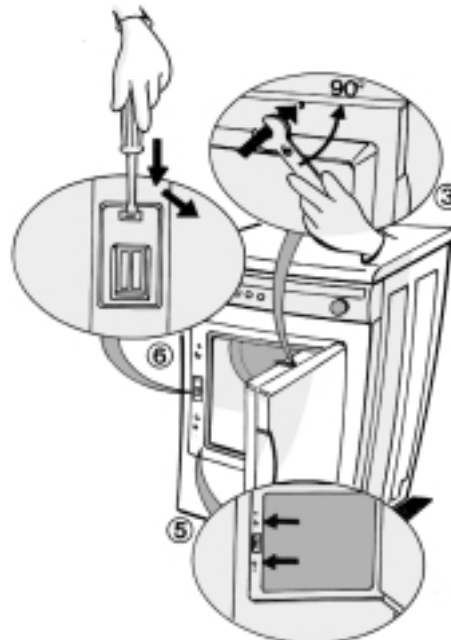
### Without vent hose

- Use the dryer in large well ventilated room.
- Keep the room free of dust.
- The minimum distance from the air opening to the wall must be at least 10 cm.

## DOOR REVERSIBILITY

### To change the direction of opening of the door

1. Unplug the dryer.
2. Open the door.
3. Remove the contact pin at the upper part of the door with a spanner. Turn the contact pin 90° and take it out.
4. Unscrew the 2 screws at the door hinge and remove the door.
5. Unscrew the 2 screws above and below the door lock system.
6. To remove the door lock:
  - Press the hook at the upper part down with a screwdriver, pull it forward and take the lock system out.
7. To change the door opening:
  - Turn the door.
  - Re-fit the door with the 2 screws at the preferred position.
  - Hang the door lock system at the opposite side of the door and latch it.
  - Fix the 2 screws above and below the door lock system.
8. Replace the contact pin in the top of the door.





## MAINTENANCE

1. Wipe the cabinet with a mild household detergent. Avoid using abrasive cleaners.
2. Clean the lint filter at the end of each drying cycle.
3. If the lint filter mesh is clogged, clean it with water and a soft brush.
4. Wipe away fluff at the door seal and the inside of the door using a damp cloth.

## TROUBLE SHOOTING GUIDE

**Should your dryer operate incorrectly, check the following points before calling for a qualified service technician.**

### **Drying is too long / laundry is not dry enough:**

- Have you selected the correct drying time or programme?
- Was the inserted laundry too humid (Washing machine spin speed less than 800rpm)?
- Is the lint filter dirty (filter indicator light on if available)?

**After an interruption in the mains supply you must restart the dryer (Electronic dryer).**

### **The dryer does not operate:**

- Is the plug properly connected to the mains supply?
- Is there a power failure?
- Has the fuse blown?
- Is the door well closed?
- Has the drying time or programme been selected?
- Has the **Start** button been pressed?

### **Lint filter light on: (if available)**

- Is the lint filter clean?
- Is the vent hose blocked?

## AFTER-SALES SERVICE

### **Before contacting After-Sales Service**

1. Try to solve the problem (see "Trouble-shooting guide").
2. Restart the programme to see if the fault is repeated.

**If after the above checks your dryer does not work properly, get in touch with the nearest After-Sales Service Centre.**

### **Please give:**

- a short description of the fault.
- the exact type and model of the dryer.
- the service number visible on the right when door is open.

**SERVICE** 0000 000 00000



- Your correct address and telephone number.

