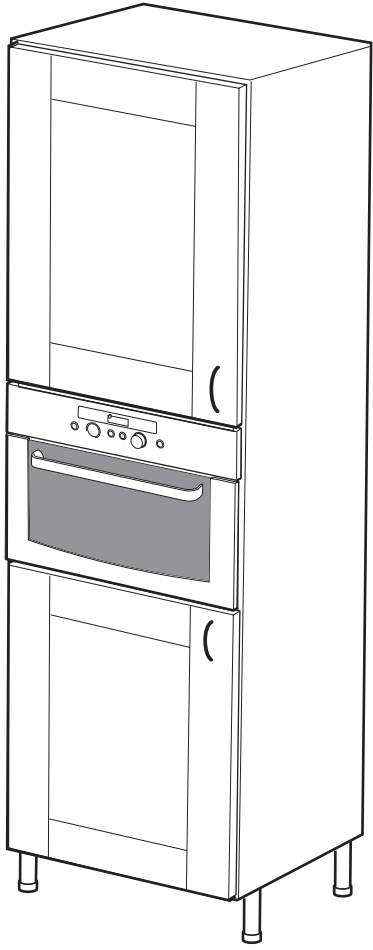


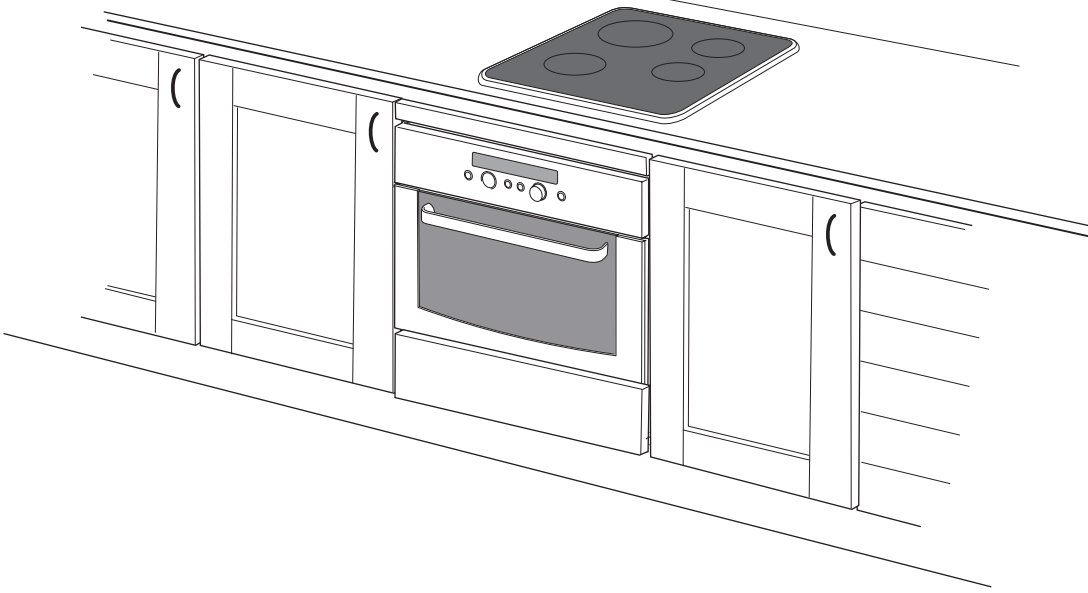
I

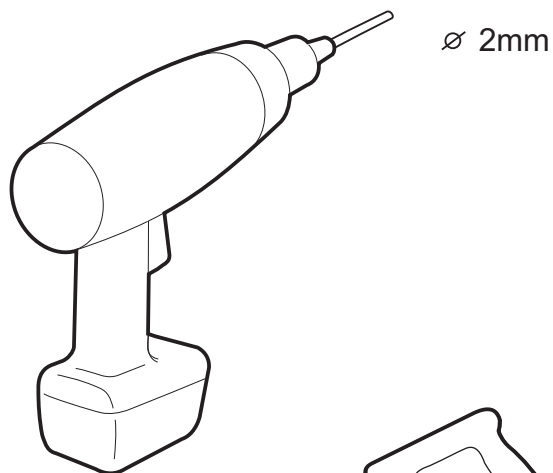
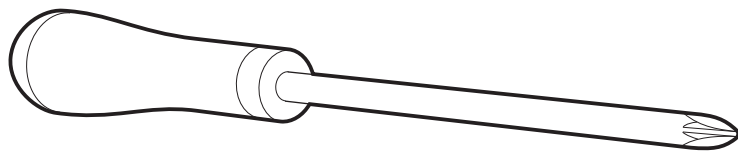


II

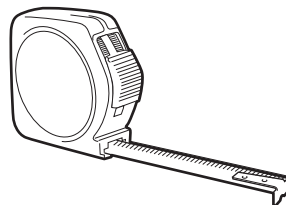
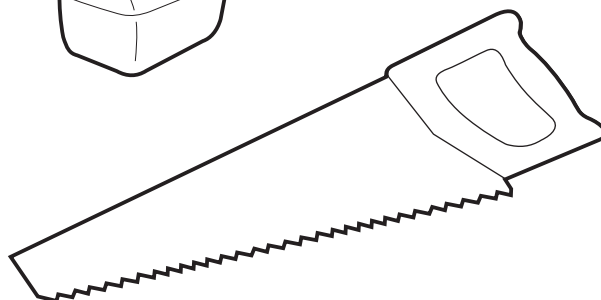


III

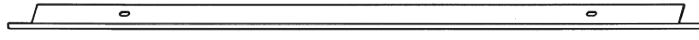




∅ 2mm

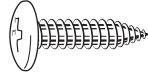


A



1x

B



X 2

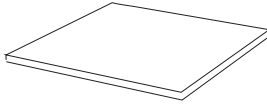
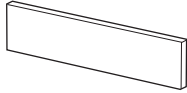
C



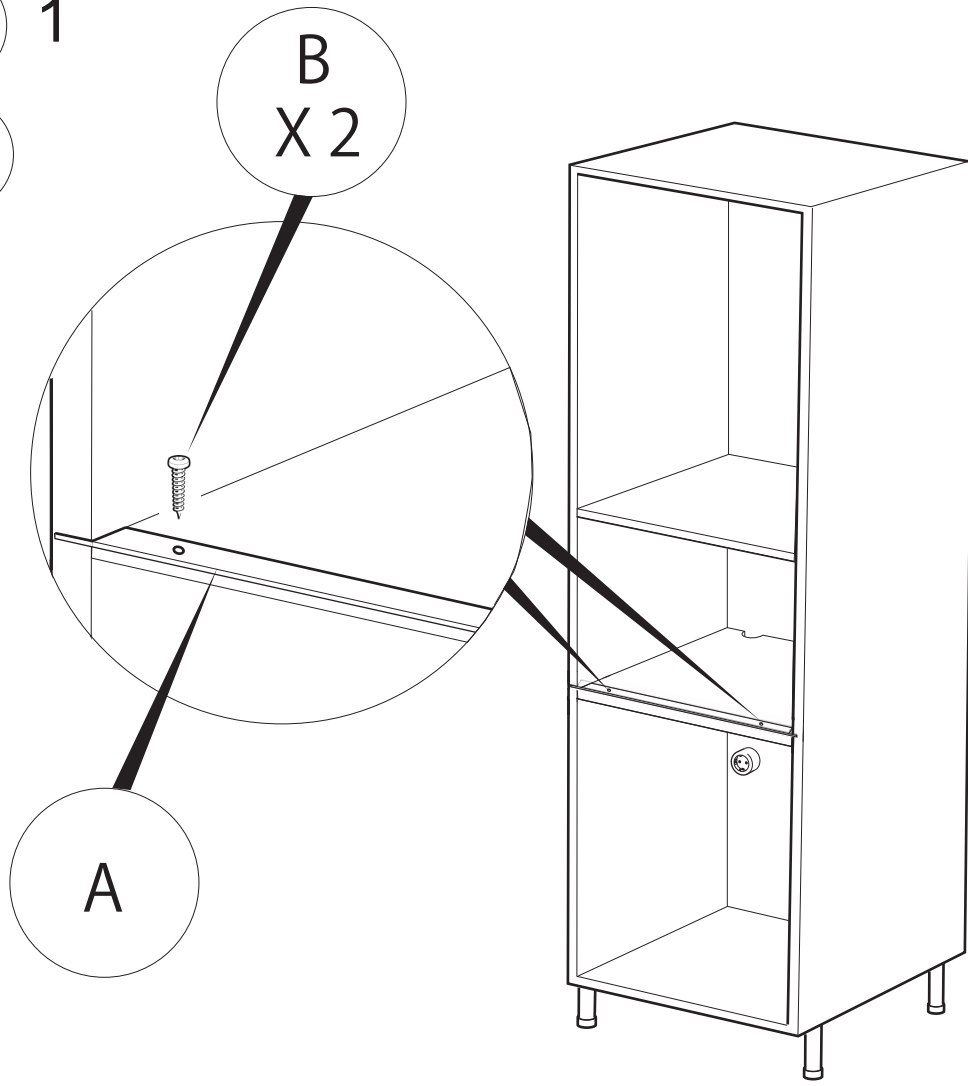
X 2



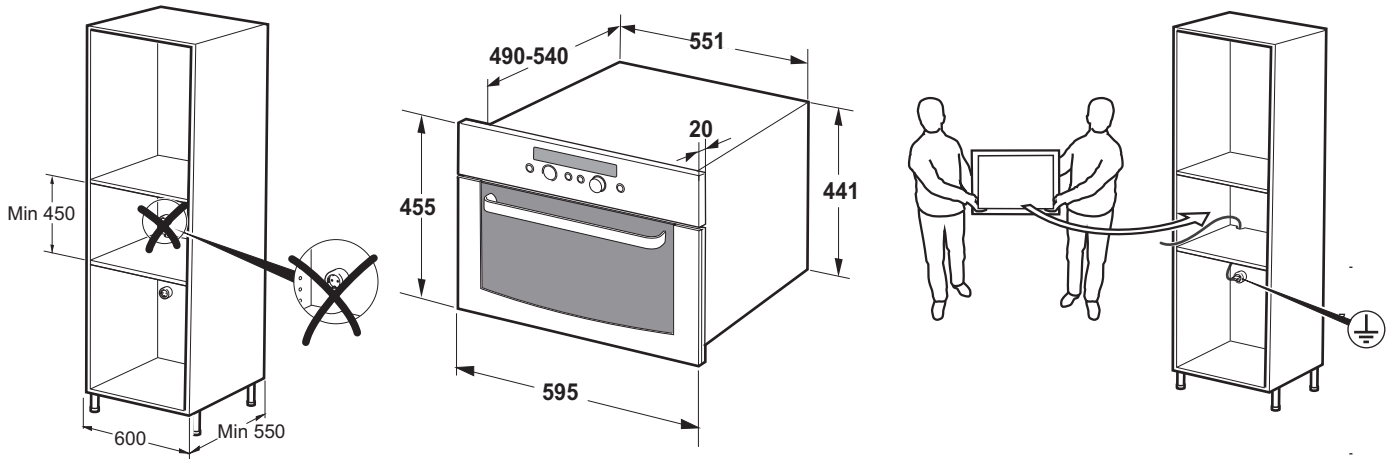
III



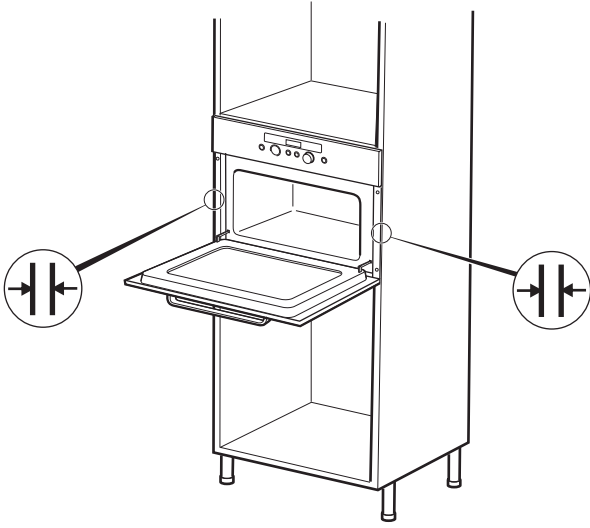
I 1  
II



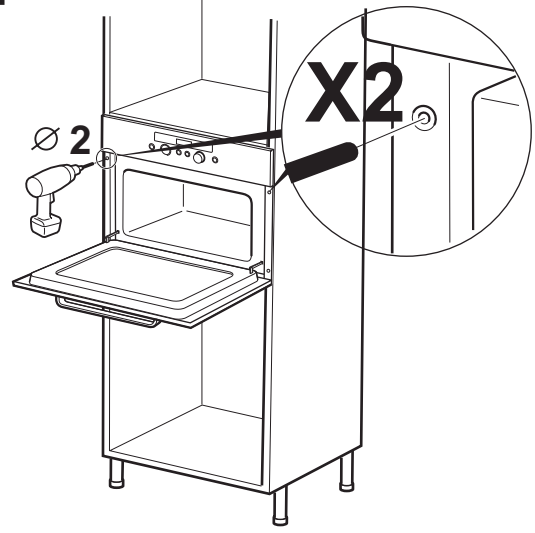
2



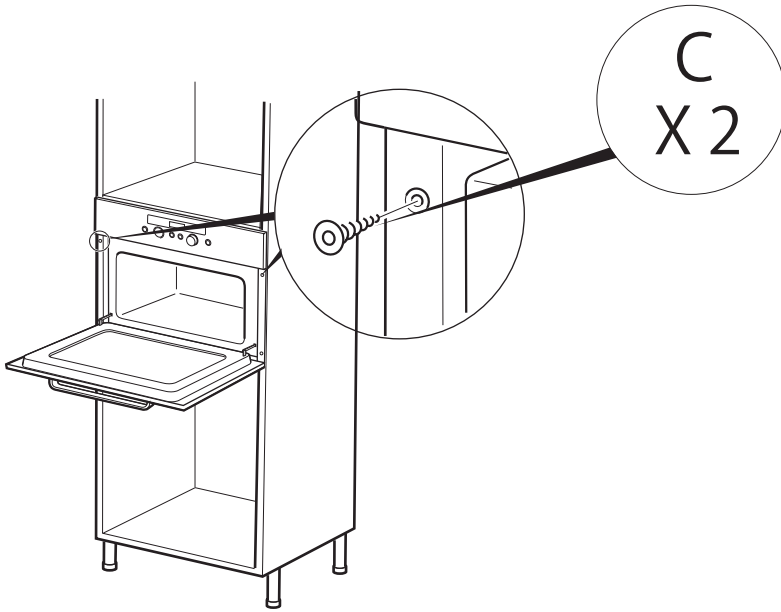
3



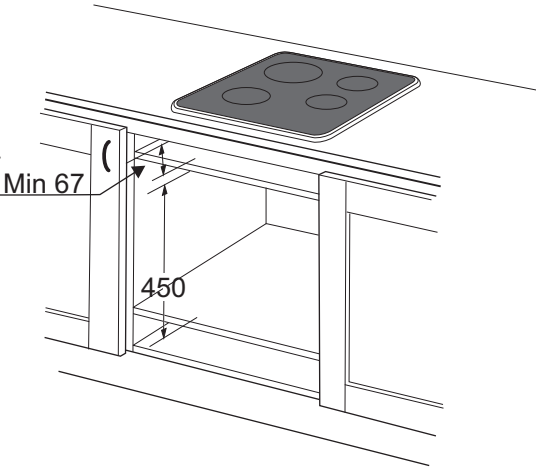
4



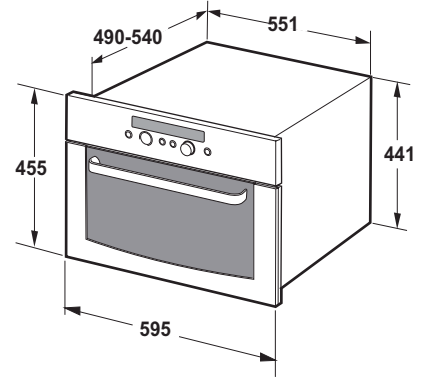
5



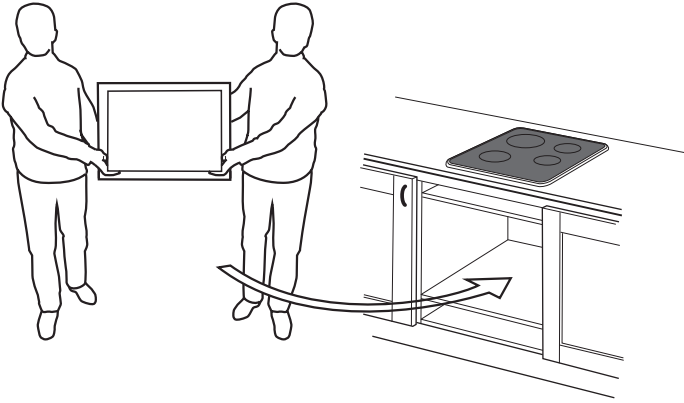
III 1



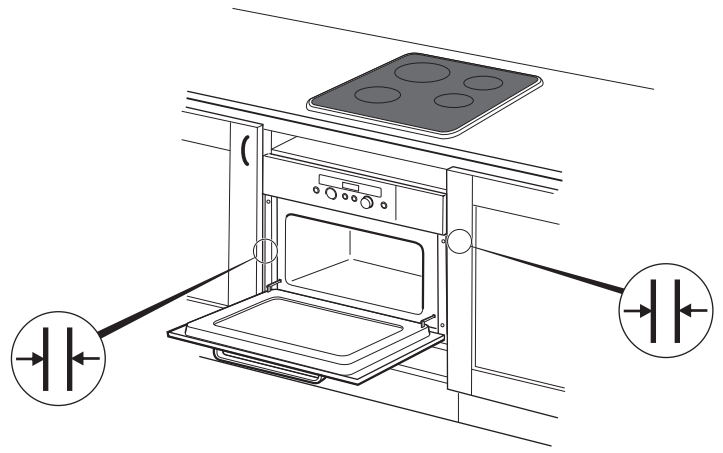
2



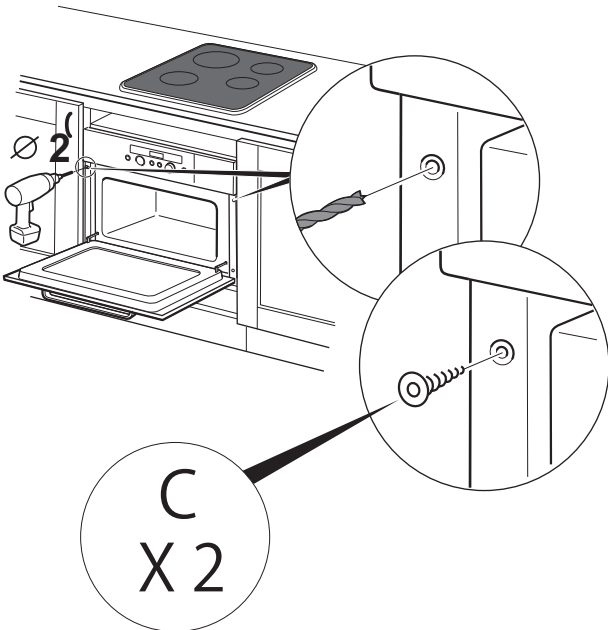
3



4



5



6

